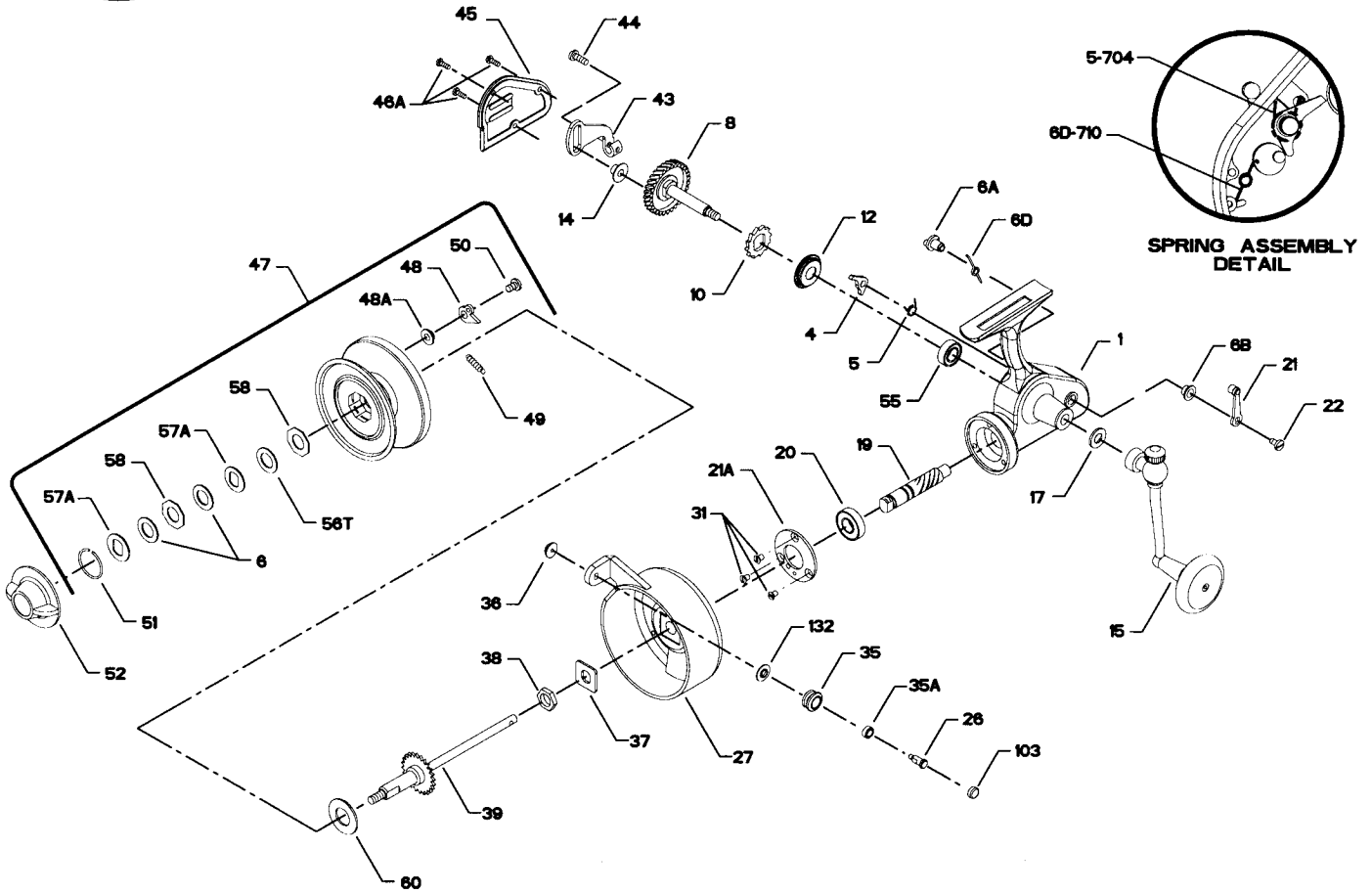




PARTS LIST FOR MODEL 706Z



KEY NO.

DESCRIPTION

1	Housing w/Bushing
4	Dog
5	Dog Spring
6	Drag Washer Brake Lining (2 req.)
6A	Eccentric
6B	Eccentric Liner
6D	Eccentric Spring
8	Main Gear w/Ratchet
10	Ratchet
12	Main Gear Thrust Washer
14	Crosswind Roller
15	Handle (Complete)
17	Handle Washer
19	Pinion Gear
20	Pinion Bearing
21	Eccentric Lever
21A	Bearing Retainer
22	Eccentric Screw
26	Roller Shaft
27	Rotor Cup
31	Bearing Cover Screw (3 req.)
35	Line Roller
35A	Roller Bearing

PART NO.

1-706Z
4-704
5-704
6-60
6A-704
6B-700Z
6D-710
8-704
10-704
12-704
14-710
15-706Z
17-710
19-704
20-704
21-109
21-706
22-109
62-706
27-706Z
31-19
35-706
35A-706

KEY NO.

DESCRIPTION

36	Bail Lock Nut
37	Rotor Cup Washer
38	Rotor Cup Nut
39	Spool Shaft
43	Crosswind Arm
44	Crosswind Screw
45	Housing Plate
46A	Retaining Screw (3 req.)
47	Spool (Complete)
48	Click Tongue
48A	Click Tongue Washer
49	Click Spring
50	Click Screw
51	Retaining Spring
52	Drag Knob
55	Gear Bearing
56T	Drag Washer (Teflon®)
57A	Metal Washer (2 req.)
58	Metal Washer (Octagon) (2 req.)
60	Rear Drag Washer (Teflon®)
103	Bearing Cap
132	Roller Washer

PART NO.

36-706
37-706
38-704
39-704
43-704
44-704
45-706Z
46A-704
47-706Z
48-450
48A-750
49-710
22-750
51-704
52-750
55-320
56T-704
57A-750
58-704
60-710
103-706
132-706