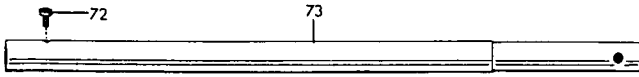


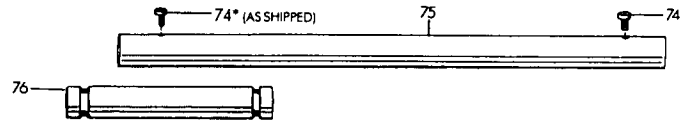


PARTS LIST FOR FATHOM-MASTER® ACCESSORIES

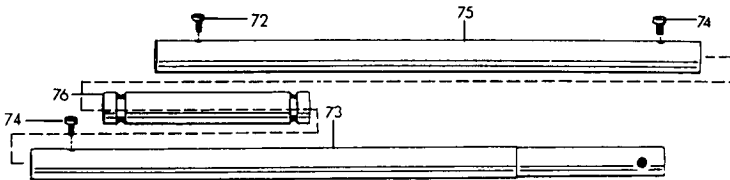
600 BOOM BOTTOM (24 INCH)



638 BOOM EXTENSION (FOR 24 INCH BOOM BOTTOM)

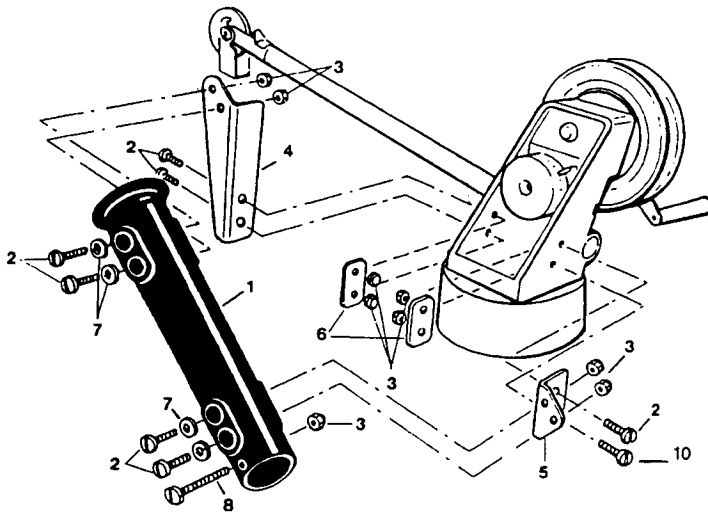


625 BOOM COMPLETE (48 INCH)



KEY NO.	PART NO.	DESCRIPTION
72	204P-600	Boom Tip Screw
73	183-800	Boom Bottom
74	204P-820	Boom Extension Screw (2)
75	183-820	Boom Extension
76	219-820	Boom Stud (Center)

ROD HOLDER 610 RH



KEY NO.	PART NO.	DESCRIPTION
1	256-610	Rod Holder Tube
2	267A-610	Mounting Bolts (7)
3	208-815	Self-Locking Nuts (9)
4	258-610	Forward Bracket
5	259-610	Rear Bracket
6	265-610	Backing Plates (2)
7	220-600	Flat Washers (4)
8	182-610	Gimbal Bolt
9	196-600	Retaining Ring (2)
10	267-815	Long Mounting Bolt