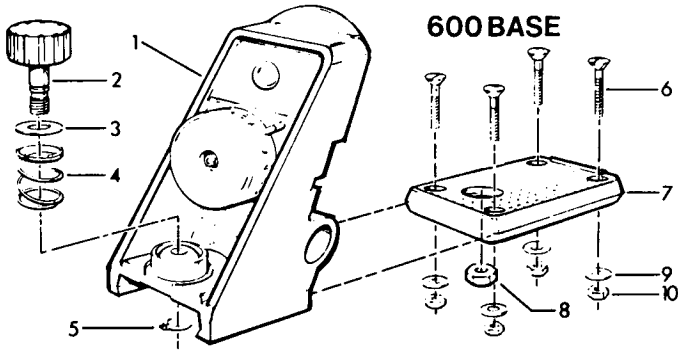




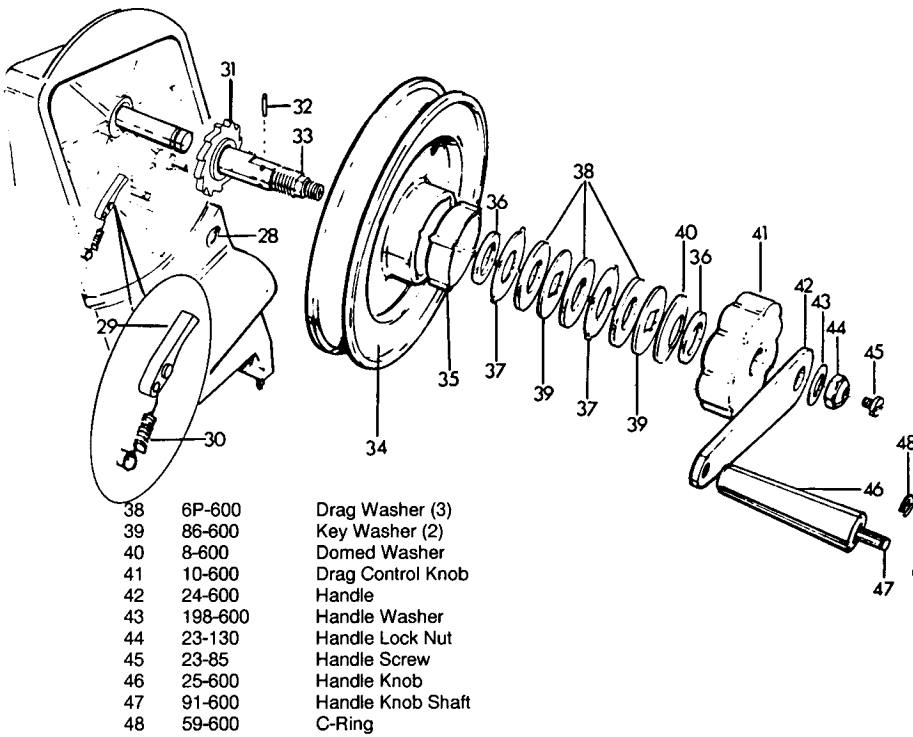
PARTS LIST FOR FATHOM-MASTER® 600-625

FRAME AND MOUNTING BASE



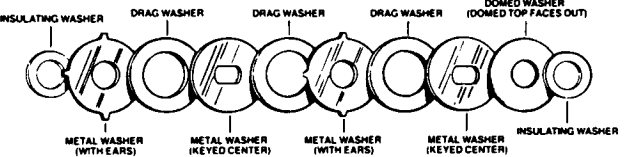
KEY NO.	PART NO.	DESCRIPTION
1	132-600	Frame
2	184-600	Hold Down Knob
3	206-600	Hold Down Knob Washer
4	192-600	Hold Down Knob Spring
5	195-600	Hold Down Retaining Ring
6	209-600	Mounting Screw (4)
7	133-600	Base Plate
8	193-600	Base Plate Nut
9	220-600	Base Plate MTG. Washer (4)
10	211-600	Base Plate MTG. Nut (4)

DRAG BRAKE SYSTEM

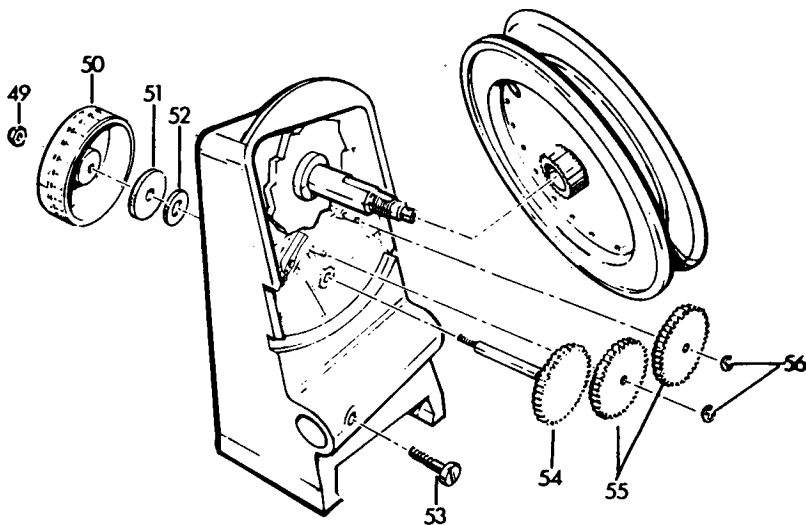


KEY NO.	PART NO.	DESCRIPTION
28	196-600	Retaining Ring
29	15-625	Dog
30	14-600	Dog Spring
31	81A-625	Ratchet
32	102-600	Pin-Main Sleeve
33	98A-600	Main Sleeve
34	29-800	Spool
35	191-836	Thermal Insulator
36	199P-600	Insulating Washer (2)
37	7-836	Ear Washer (2)

- 38 6P-600 Drag Washer (3)
- 39 86-600 Key Washer (2)
- 40 8-600 Domed Washer
- 41 10-600 Drag Control Knob
- 42 24-600 Handle
- 43 198-600 Handle Washer
- 44 23-130 Handle Lock Nut
- 45 23-85 Handle Screw
- 46 25-600 Handle Knob
- 47 91-600 Handle Knob Shaft
- 48 59-600 C-Ring



CABLE FOOTAGE COUNTER



KEY NO.	PART NO.	DESCRIPTION
49	200-600	Counter Cup Lock Nut
50	181-600	Counter Cup
51	190P-600	Counter Cup Washer
52	247-620	Counter Cup Thrust Washer
53	194-600	Boom Screw
54	179-600	Counter Cup Gear
55	178-800	Idler Gear (2)
56	69B-600	Idler Gear Retaining Ring