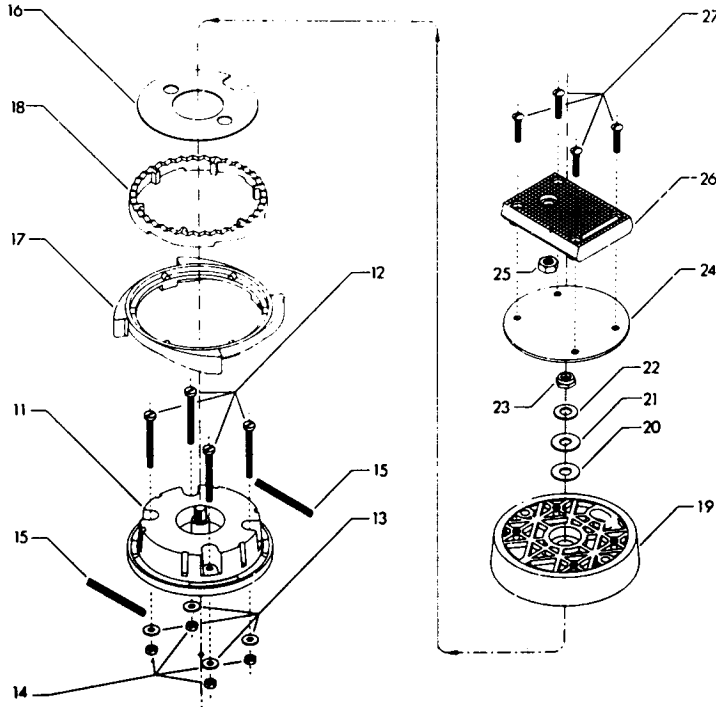




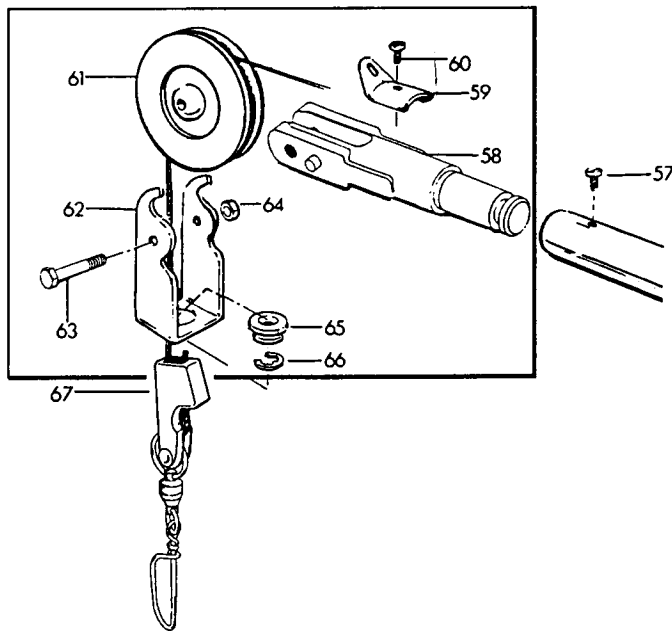
PARTS LIST FOR COMMON DOWNRIGGER SUB-ASSEMBLIES



622 SWIVEL-MATIC BASE

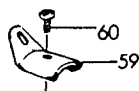
KEY NO.	PART NO.	DESCRIPTION
11	238-622	Swivel Base Bottom
12	250-620	Swivel Base Mounting Screw (4)
13	220-600	Mounting Screw Washer (4)
14	211-600	Mounting Screw Nut (4)
15	14-622	Return Spring (2)
16	240-622	Swivel Base Washer
17	238A-622	Adjusting Ring
18	237A-622	Locking Ring
19	237-622	Swivel Base Top
20	249-620	Swivel Drag Washer
21	241-620	Metal Drag Washer
22	18-970	Tension Washer
23	23-130	Lock Nut
24	239-620	Swivel Base Cover
25	193-600	Base Plate Nut
26	133-600	Base Plate
27	209-620	Base Plate Mounting Screw (4)

BOOM TIP ASSEMBLY 600 & 800 SERIES



KEY NO.	PART NO.	DESCRIPTION
57	204P-600	Boom Tip Screw
58	218-800	Boom Tip
59	223-836	Line Guide
60	204R-820	Line Guide Screw
61	180-600	Boom Pulley
62	201-620	Line Guide Bracket
63	182-820	Boom Pulley Screw
64	208-600	Self Lock Hex Nut
65	202-600	Line Guide Sleeve
66	203-600	Sleeve Retaining Ring
67	213-825	Cable Hardware

LINE GUIDE



KEY NO.	PART NO.	DESCRIPTION
59	223-836	Line Guide
60	204R-820	Line Guide Screw