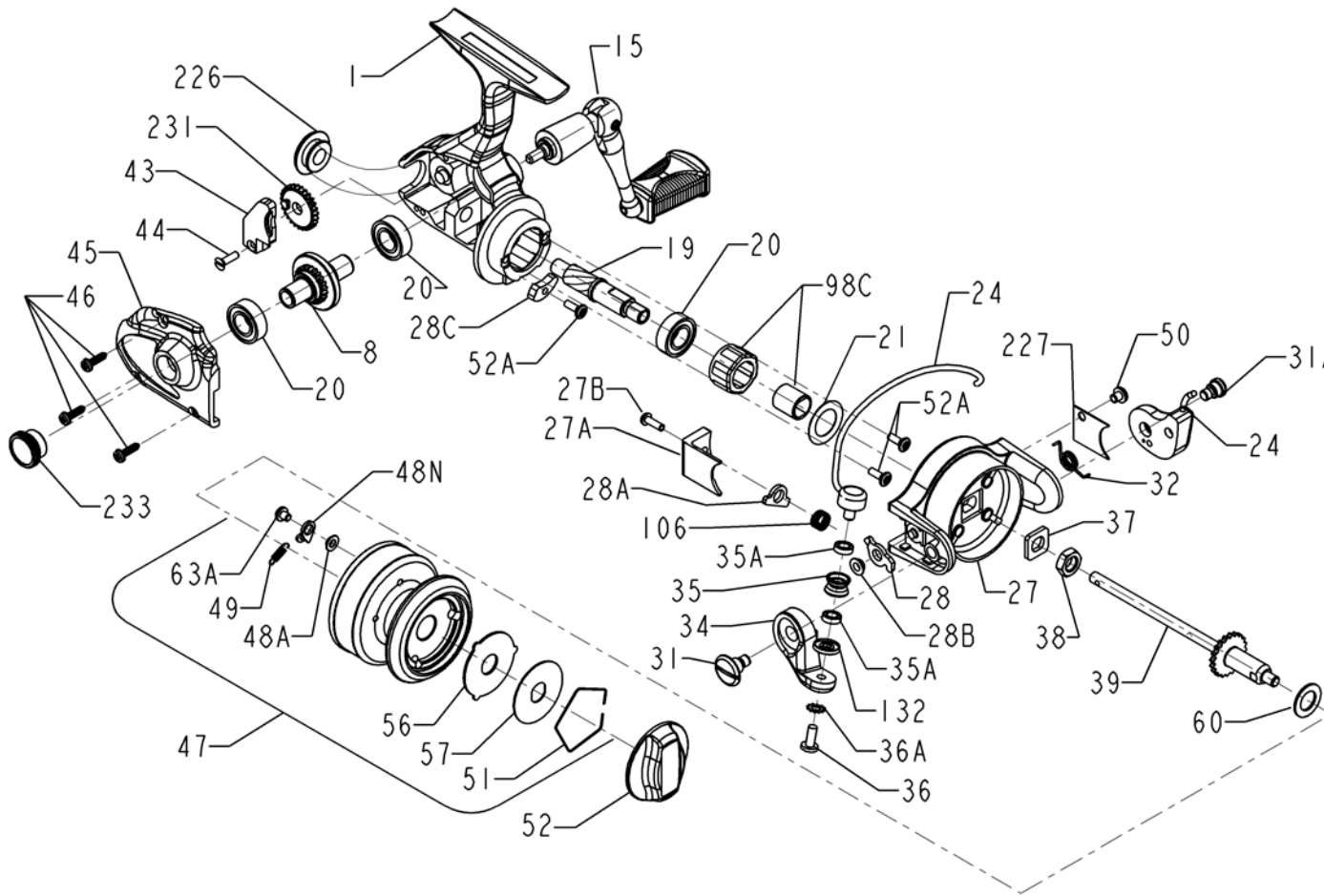




PARTS LIST FOR MODEL 430SSG



| KEY NO. | PART NO. | DESCRIPTION |
|---------|-----------|---------------------------|
| 1 | 001 430G | Housing |
| 8 | 008 430G | Main Gear |
| 15 | 015 430G | Handle Assembly |
| 19 | 019 430G | Pinion |
| 20 | 020 722 | Ball Bearing |
| 21 | 021 430G | Bearing Retainer |
| 24 | 024 430G | Bail Wire (Complete) |
| 27 | 027 430G | Rotor Cup |
| 27A | 027A4300 | Bail Trip Cover |
| 27B | 027B420 | Screw |
| 28 | 028 420 | Trip Lever |
| 28A | 028A440 | Cam Lever |
| 28B | 028B440 | Trip Lever Bushing |
| 28C | 028C420 | Trip Cam |
| 31 | 031 430G | Bail Arm Screw |
| 31A | 031A550G | Bail Cam Screw |
| 32 | 032 420 | Bail Spring |
| 34 | 034 420 | Bail Arm |
| 35 | 035 550G | Line Roller |
| 35A | 035A8500J | Ball Bearing |
| 36 | 036 750 | Bail Stud Screw |
| 36A | 036A750 | Lock Washer |
| 37 | 037 420 | Rotor Washer |
| 38 | 038 720 | Rotor Cup Nut |
| 39 | 039 430G | Spool Shaft |
| 43 | 043 430G | Crosswind Block |
| 44 | 044 260 | Cover Block Screw |
| 45 | 045 430G | Housing Cover |
| 46 | 046 430G | Self Tapping Screw |
| 47 | 047 430G | Spool (Complete) |
| 48A | 048A4300 | Click Tongue Bushing |
| 48N | 048N4300 | Click Tongue |
| 49 | 049 4300 | Click Spring |
| 50 | 050 712 | Bail Spring Cover Screw |
| 51 | 051 430G | Retaining Ring |
| 52 | 052 430G | Drag Knob Assembly |
| 52A | 052A260 | Screw |
| 56 | 056 4200 | Drag Washer HT-100 |
| 57 | 057 4200 | Drag Washer (Metal) |
| 60 | 060 716 | Thrust Washer |
| 63A | 063A2.5FR | Click Spring Screw |
| 98C | 098C550G | Clutch Bearing and Sleeve |
| 106 | 106 5500 | Cam Lever Spring |
| 132 | 132 5500J | Roller Washer |
| 226 | 226 430G | Rear Cap |
| 227 | 227 4300 | Bail Spring Cover |
| 231 | 231 430G | Crosswind Gear |
| 233 | 233 430G | Bearing Cover |