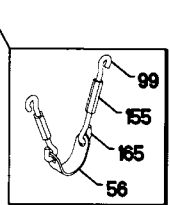
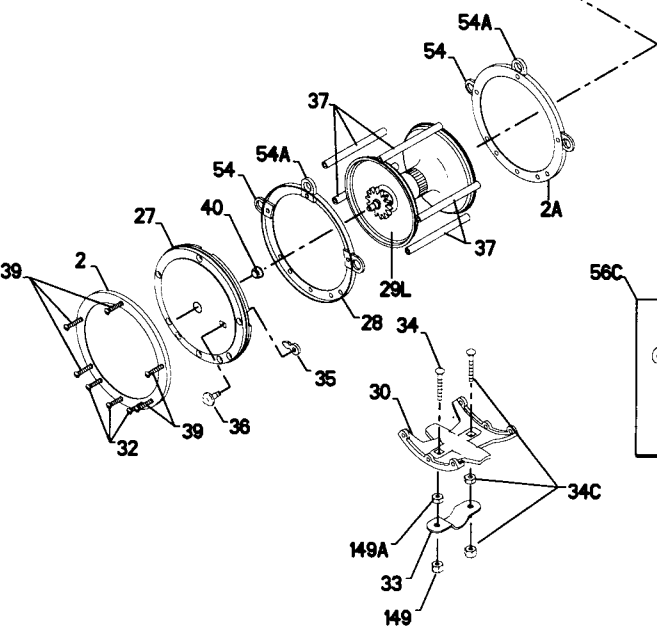
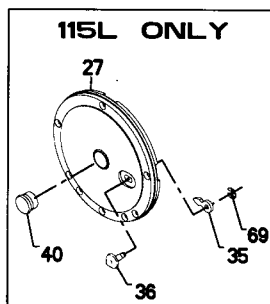
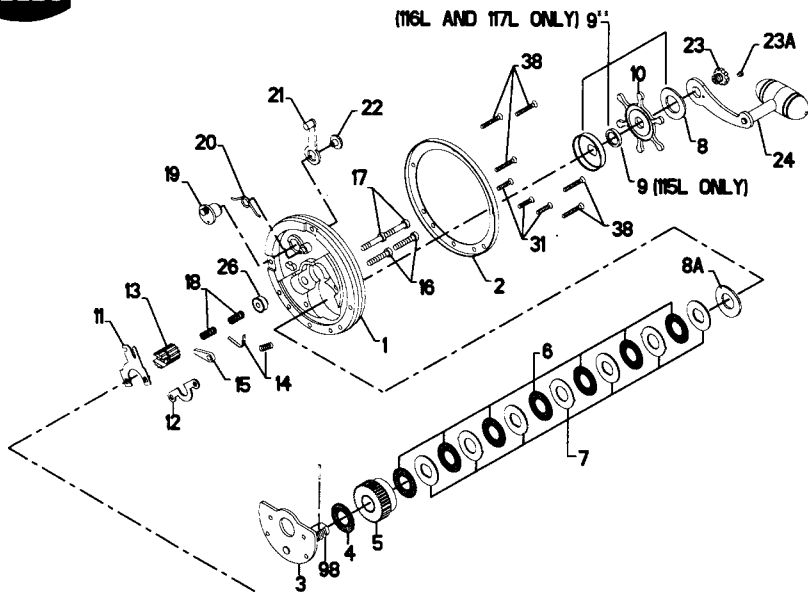


PARTS LIST FOR MODELS 115L, 116L AND 117L



KEY NO.	115L PART NO.	116L PART NO.	117L PART NO.	DESCRIPTION
1	1-115	1-116	1-117	Right Side Plate
2	2-115-O (2 req.)	2-116-O (2 req.)	2-117-O (2 req.)	Outer Right Side Ring
2A	2-115-I	2-116-I	2-117-I	Inner Right Side Ring
3	3-115	3-116	3-117	Bridge w/Sleeve
4	4-115	4-116	4-117	Fiber Washer
5	5-115	5-116	5-117	Main Gear
6	6-115 (5 req.)	6-116 (7 req.)	6-117 (7 req.)	Drag Washer
7C	7C-115	7C-116	7C-117	Metal Drag Washer Set
8	8-114	8-116	8-117	Tension Spring
8A	8-115			Tension Spring
9	9-114	9-116**	9-117**	Spacing Sleeve (Set of 3)
10	10-114	10-116	10-117	Star Drag Wheel
11	11-114	11-116	11-116	Eccentric Jack
12	12-114	12-116	12-116	Pinion Yoke
13	13-114	13-116	13-117	Pinion
14	14-116	14-116	14-117	Dog Spring
15	15-115	15-116	15-117	Dog
16	16-114 (2 req.)	16-114 (2 req.)	16-114 (2 req.)	Lower Bridge Screw
17	17-114 (2 req.)	17-114 (2 req.)	17-114 (2 req.)	Upper Bridge Screw
18	18-114 (2 req.)	18-114 (2 req.)	18-114 (2 req.)	Clutch Springs
19	19-115	19-115	19-115	Eccentric
20	20-114	20-114	20-114	Eccentric Spring
21	21-114	21-116	21-117	Eccentric Lever
22	23-60	23-60	23-60	Eccentric Screw
23	23-116	23-116	23-116	Handle Screw
23A	110-60	110-60	110-60	Handle Lock Screw
24	24-115	24-116	24-117	Handle
26	26-116	26-116	26-117	Right Side Bearing
27	27-115	27-116	27-117	Left Side Plate
28	28-115-I	28-116-I	2-117-I	Inner Left Side Ring
29L	29L-115	29L-116	29L-117	Spool
30	30-115	30-116	30-117	Stand
31	39-12	39-12	39-12	Right Side Stand Screw
32	32-21	32-21	39-12	Left Side Stand Screw
33	33-340	33-116	33-117	Rod Clamp
	*33R-114	*33-130ST	*33R-117	Ringed Rod Clamp (Optional)
34	34-45	34-116	34-116	Clamp Screw
34C	34C-45	34C-116	34C-116	Clamp Screw w/Nuts
35	35-115	35-115	35-115	Click Tongue
36	36-115	36-115	36-117	Click Button
37	37-115 (5 req.)	37-116 (8 req.)	37-116 (8 req.)	Frame Post
38	39-13 (5 req.)	39-13 (8 req.)	39-13 (8 req.)	Right Side Post Screw
39	39-12 (5 req.)	39-13 (8 req.)	39-13 (8 req.)	Left Side Post Screw
40	40-114H	26-116	26-116	Left Side Bearing
54	54-114 (4 req.)	54-114 (2 req.)	54-117 (6 req.)	Harness Lug
54A		54-116 (2 req.)		Harness Lug
56	56-116	56-116	56-117 (2 req.)	Rod Brace
56C	56C-115	56C-116	56C-117 (2 req.)	Rod Brace (Complete)
69	69B-600			Retaining Ring
98	98-114	98-116	98-117	Gear Sleeve
99	99-115 (2 req.)	99-116 (2 req.)	99-116 (4 req.)	Hook Screw L.H. Thread
140	140-115	140-115		Felt Washer
149	149-200 (2 req.)	149-116L (2 req.)	149-116L (2 req.)	Hex Nut
149A	149-45 (2 req.)	149-116H (2req.)	149-116H (2req.)	Clamp Nut
155	155-115 (2 req.)	155-116 (2 req.)	155-116 (4 req.)	Turnbuckle
165	165-115 (2 req.)	165-116 (2 req.)	165-116 (4 req.)	Hook Screw R.H. Thread