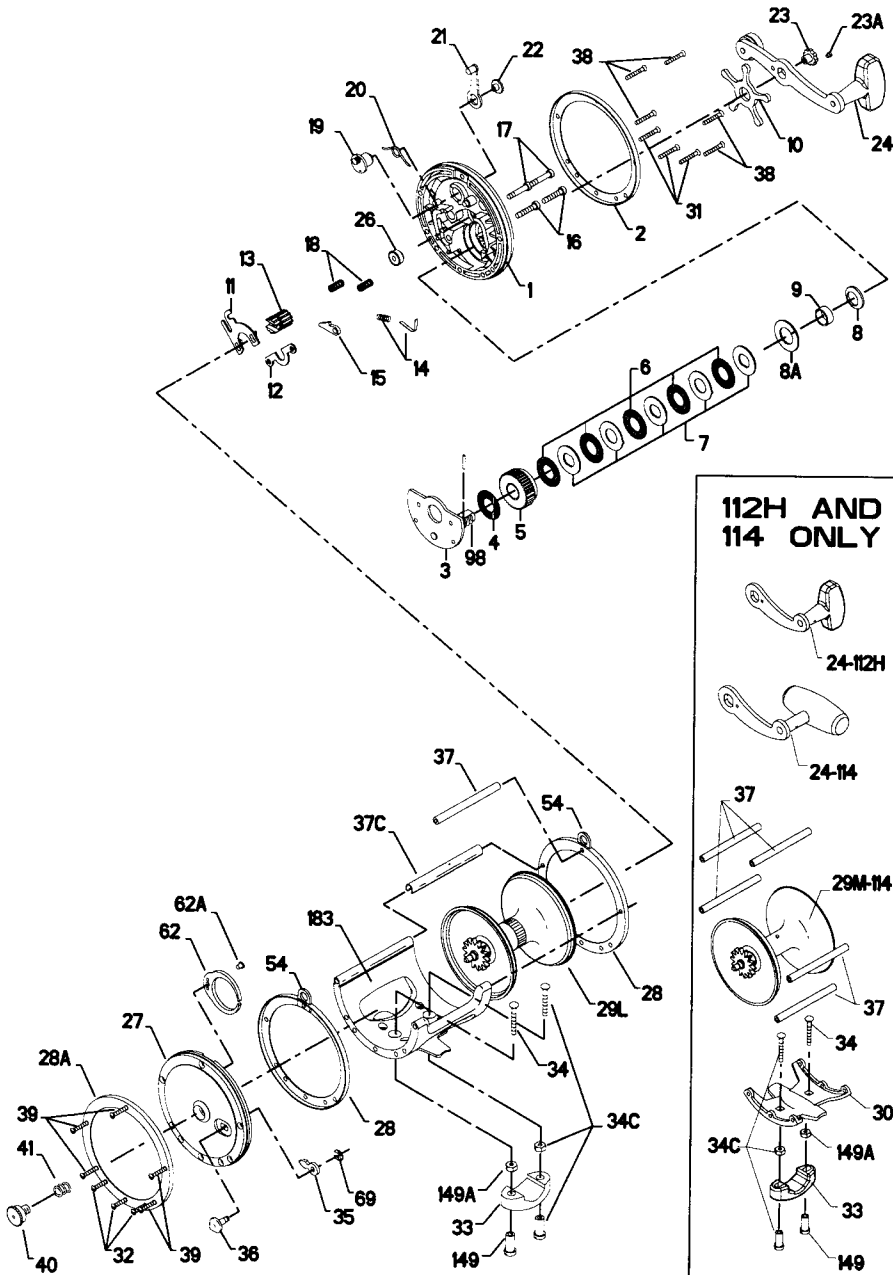




## PARTS LIST FOR MODELS 112H, 113 AND 114



KEY NO.	112H PART NO.	113 PART NO.	114 PART NO.	DESCRIPTION
1	1-112H	1-113	1-114	Right Side Plate
2	2-112H-O	2-113-O	2-114-O	Outer Right Side Ring
3	3-112H	3-113	3-114	Bridge w/Sleeve
4	4-60	4-60	4-114	Fiber Washer
5	5-500	5-60	5-114	Main Gear
6	6-309	6-113	6-114	Drag Washer (5 req.)
7	7C-500	7C-60	7C-114	Metal Drag Washer Set (5 req.)
8	8-60	8-60	8-114	Tension Spring (Set of 2)
8A	18-60	18-60	8-115	Tension Spring
9	9-60	9-66	9N-114	Spacing Sleeve
10	10-60	10-66	10-114	Star Drag Wheel
11	11-99	11-113	11-114	Eccentric Jack
12	12-500	12-113	12-114	Pinion Yoke
13	13-500	13-113	13-114	Pinion
14	14-99	14-99	14-114	Dog Spring
15	15-309	15-99	15-114	Dog
16	16-60CH	16-60CH	16-114	Lower Bridge Screw (2 req.)
17	17-60CH	17-60CH	17-114	Upper Bridge Screw (2 req.)
18	18-60	18-60	18-114	Clutch Spring
19	19-250	19-113	19-114	Eccentric
20	20-60L	20-155	20-114	Eccentric Spring
21	21-49	21-66	21-114	Eccentric Lever
22	22-99	22-99	23-60	Eccentric Screw
23	23-60	23-60	23-116	Handle Screw
23A	110-60	110-60	110-60	Handle Lock Screw
24	24-112H	24-66	24-114	Handle
26	26-155	26-60	26-114	R.S. Bearing
27	27-112H	27-113	27-114	Left Side Plate
28	2-112H-I	2-113-I	2-114-I	Inner Left Side Ring
28A	28-112H-O	2-113-O	2-114-O	Outer Left Side Ring
29	29L-112H	29L-113	29M-114	Spool
30	30-66		30-114	Stand
31	39-3	39-9	31-11	R.S. Stand Screw (3 req.)
32	32-17	39-9	32-20	L.S. Stand Screw (3 req.)
33	33-113	33-113	33-340	Rod Clamp
	33R-200	*33R-200	*33R-114	Ringed Rod Clamp (Optional)
34	34-45	34-45	34-45	Clamp Screw (2 req.)
34C	34C-45	34C-45	34C-45	Rod Clamp Screw w/Nuts
35	35-60	35-60	35-114	Click Tongue
36	36N-209	36-113	36-114	Click Button
37	37-65	37-113	37-114	Frame Post
37C		37C-113H		Frame Cover Post
38		39-9	39-13	R.S. Screw (5 req.)
39		39-9	32-12	L.S. Screw (5 req.)
40	40-60	40-60	40-114	Left Side Bearing
41	41-60	41-60	41-114	Left Side Bearing Spring
54		54-113	54-114	Harness Lug (2 req.)
62	62-309	62M-309	62-114	Click Spring
62A	63-209	31-2.5FR	63-209	Click Spring Screw
69	69B-600	69B-600	69B-600	Retaining Ring
98	98-60	98-60	98-114	Gear Sleeve
149	149-45	149-45	149-45	Rod Clamp Nut
149A	149-200	149-200	149-200	Hex Nut (2 req.)
183		183-113		Frame

\*Not Shown