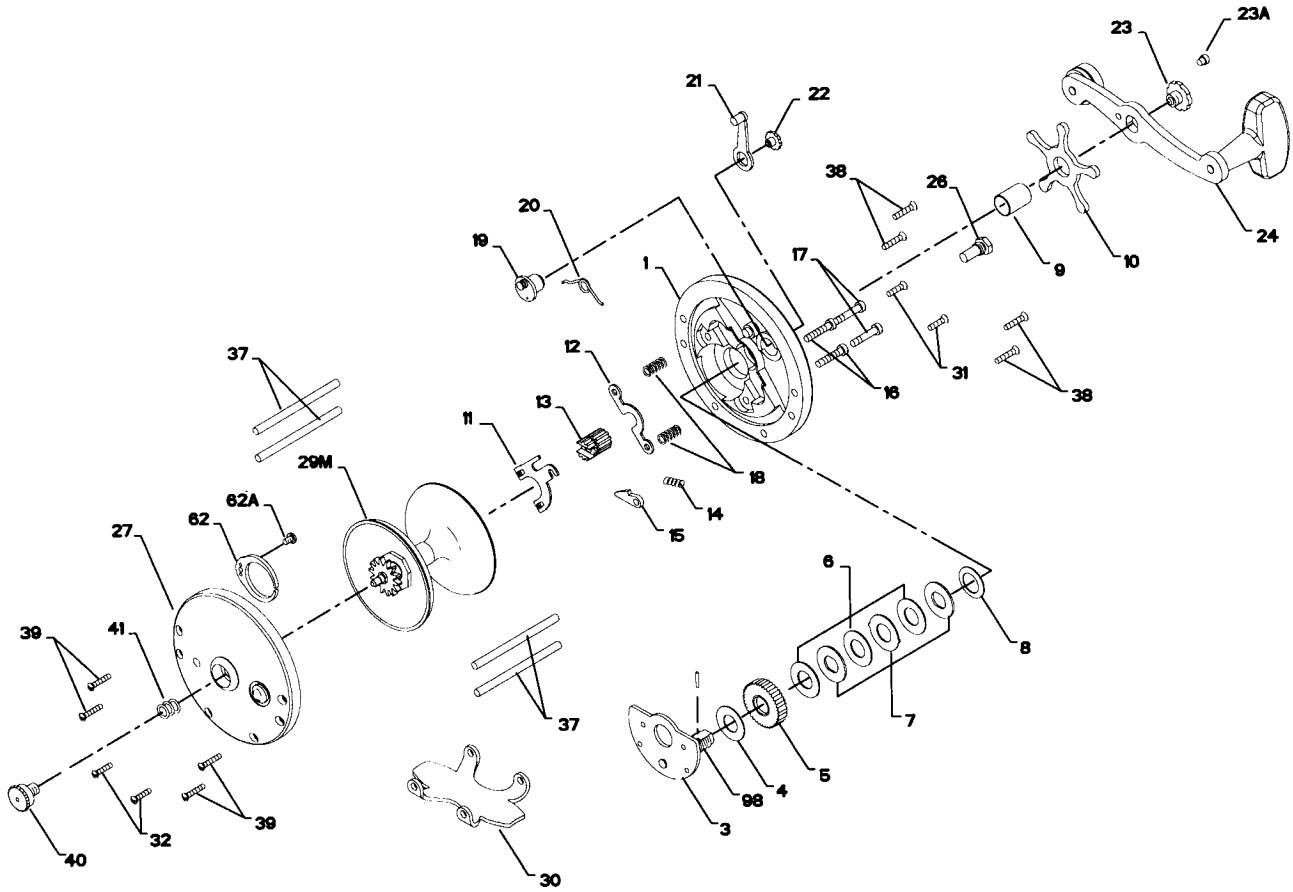




## PARTS LIST FOR MODEL 285M



**KEY NO.**  
1  
3  
4  
5  
6  
7  
8  
9  
10  
11  
12  
13  
14  
15  
16  
17  
18  
19  
20

**DESCRIPTION**  
Right Side Plate  
Bridge w/Sleeve  
Fiber Washer  
Main Gear  
Drag Washer (3 req.)  
Metal Washer Set  
Tension Spring  
Spacing Sleeve  
Star Drag Wheel  
Eccentric Jack  
Pinion Yoke  
Pinion  
Dog Spring  
Dog  
Lower Bridge Screw  
Upper Bridge Screw  
Clutch Spring  
Eccentric  
Eccentric Spring

**PART NO.**  
1-285  
3-285  
4-60  
5-60  
6-60  
7C-60  
8-60  
9-60  
10-60  
11-60  
12-60  
13-60  
14-99  
15-99  
16-60  
17-60  
18-60  
19-60  
20-60

**KEY NO.**  
21  
22  
23  
23A  
24  
26  
27  
29  
30  
31  
32  
37  
38  
39  
40  
41  
98  
62  
62A

**DESCRIPTION**  
Eccentric Lever  
Eccentric Screw  
Handle Screw  
Handle Lock Screw  
Handle  
R.S. Bearing  
L.S. Plate  
Spool  
Stand  
R.S. Stand Screw  
L.S. Stand Screw  
Frame Post  
R.S. Post Screw  
L.S. Post Screw  
L.S. Bearing  
L.S. Bearing Spring  
Gear Sleeve  
Click Spring  
Click Spring Screw

**PART NO.**  
21-285  
22-60  
23-60  
110-60  
24-155  
26-60  
27-285  
29M-60  
30-60  
32-16  
32-22  
37-60  
38-8  
38-8  
40-60  
41-60  
98-60  
62M-309  
31-2.5FR