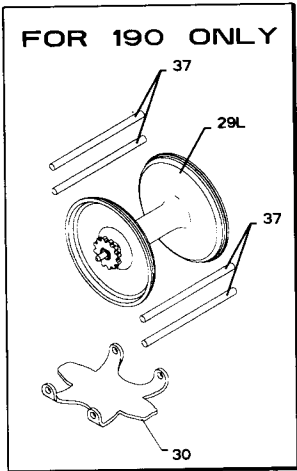
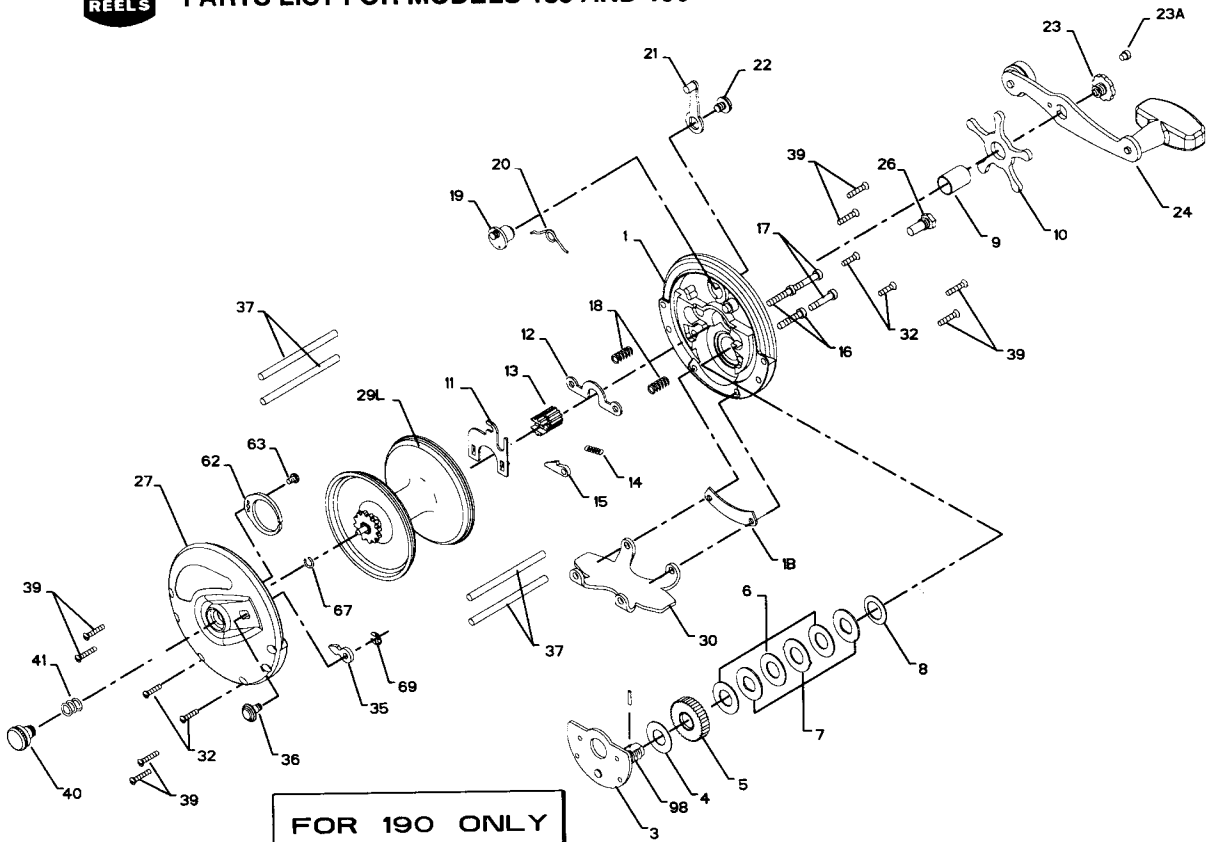




PARTS LIST FOR MODELS 185 AND 190



| KEY NO. | DESCRIPTION | PART NO. |
|---------|---------------------------|----------|
| 1 | Right Side Plate | 1-185 |
| 1B | Gear Cover | 1B-185 |
| 3 | Bridge w/Sleeve | 3-185 |
| 4 | Fiber Washer | 4-60 |
| 5 | Main Gear | 5-185 |
| 6 | Drag Washer (3 req.) | 6-309 |
| 7 | Metal Washer Set | 7C-500 |
| 8 | Tension Spring | 8-60 |
| 9 | Spacing Sleeve | 9-60 |
| 10 | Star Drag Wheel | 10-60 |
| 11 | Eccentric Jack | 11-185 |
| 12 | Pinion Yoke | 12-60 |
| 13 | Pinion | 13-185 |
| 14 | Dog Spring | 14-99 |
| 15 | Dog | 15-85 |
| 16 | Lower Bridge Screw | 16-60 |
| 17 | Upper Bridge Screw | 17-60 |
| 18 | Clutch Spring | 18-60 |
| 19 | Eccentric | 19-330 |
| 20 | Eccentric Spring | 20-155 |
| 21 | Eccentric Lever | 21-285 |
| 22 | Eccentric Screw | 22-60 |
| 23 | Handle Screw | 23-60 |
| 23A | Handle Lock Screw | 110-60 |
| 24 | Handle | 24N-310 |
| 26 | Right Side Bearing | 26-60 |
| 27 | Left Side Plate | 27-185 |
| | Left Side Plate | 27-190 |
| 29L | Spool (185) | 29L-85 |
| | Spool | 29L-190 |
| 30 | Stand | 30-85 |
| | Stand (190) | 30-65 |
| 32 | Stand Screw (4 req.) | 32-14 |
| 35 | Click Tongue | 35-60 |
| 36 | Click Button | 36-185 |
| 37 | Frame Post (185) | 37-111 |
| | Frame Post (190) | 37-65 |
| 39 | Side Plate Screw (8 req.) | 39-4 |
| 40 | Left Side Bearing | 40-185 |
| 41 | Left Side Bearing Spring | 41-60 |
| 62 | Click Spring | 62M-309 |
| 63 | Click Spring Screw | 63-330 |
| 67 | Lock Ring | 67-185 |
| 69 | Retaining Ring | 69B-600 |
| 98 | Gear Sleeve | 98-60 |