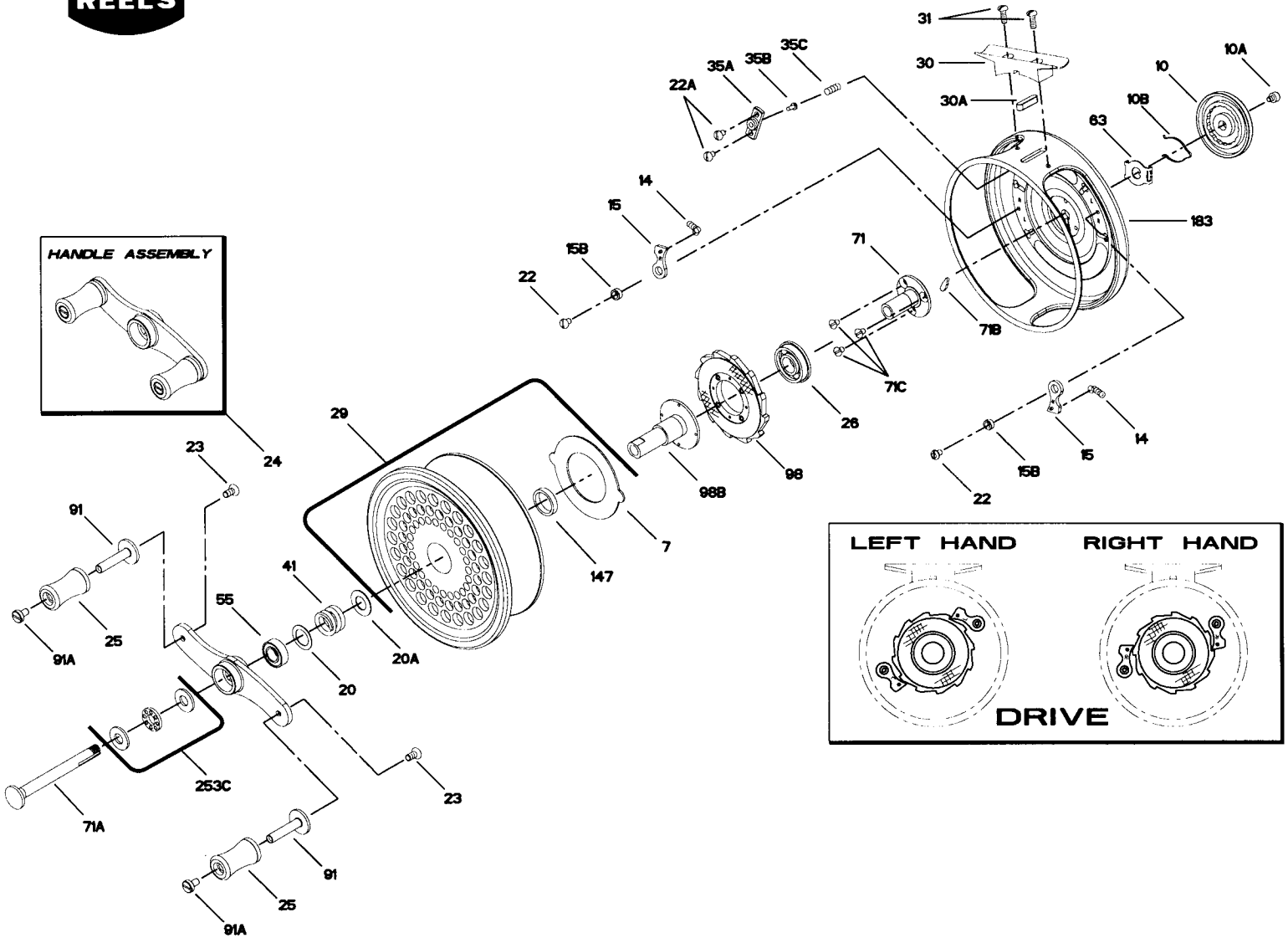




PARTS LIST FOR MODEL 4G-AR



KEY NO.	DESCRIPTION	PART NO.
7	Metal Drag Washer	7-4GAR
10	Drag Knob	10N-2.5FRG
10A	Retaining Screw	10A-2.5FR
10B	Detent Spring	10B-2.5FR
14	Dog Coil Spring (2 req.)	14-500
15	Dog (2 req.)	15-4FR
15B	Dog Bushing (2 req.)	15B-2.5FR
20	Spool Thrust Washer	20-4FR
20A	Spool Thrust Washer	20-4GAR
22	Dog Screw (2 req.)	22-2.5FR
22A	Click Housing Screw (2 req.)	22-2.5FR
23	Handle Post Screw (2 req.)	23-2.5FR
24	Handle Assembly (Complete)	24-4GAR
25	Handle Knob (2 req.)	25-4FR
26	Flange Bearing	26-2.5FR
29	Spool Assembly	29L-4GAR
30	Stand	30-4FRG
30A	Stabilizer Bar	30A-2.5FR

KEY NO.	DESCRIPTION	PART NO.
31	Stand Screw (2 req.)	31-2.5FR
35A	Click Housing	35A-2.5FR
35B	Click Pin	35B-2.5FR
35C	Click Pin Spring	107-60
41	Drag Coil Spring	41-4FR
55	Ball Bearing (Outer)	55-12H
63	Spring Retainer	63-2.5FR
71	Spindle	71-4GAR
71A	Spindle Stud	71A-4GAR
71B	Spindle Lock Pin	71B-2.5FR
71C	Spindle Screw (3 req.)	71C-2.5FR
91	Handle Post (2 req.)	91-4FRG
91A	Handle Screw (2 req.)	91A-2.5FR
98	Drag Washer/Ratchet	98N-4GAR
98B	Spindle Sleeve	98B-4GAR
147	Spool Bushing	147N-320
183	Frame	183-4GAR
253C	Thrust Bearing (Complete)	253C-4GAR

Note: Schematic view shows parts oriented for right-hand drive assembly.