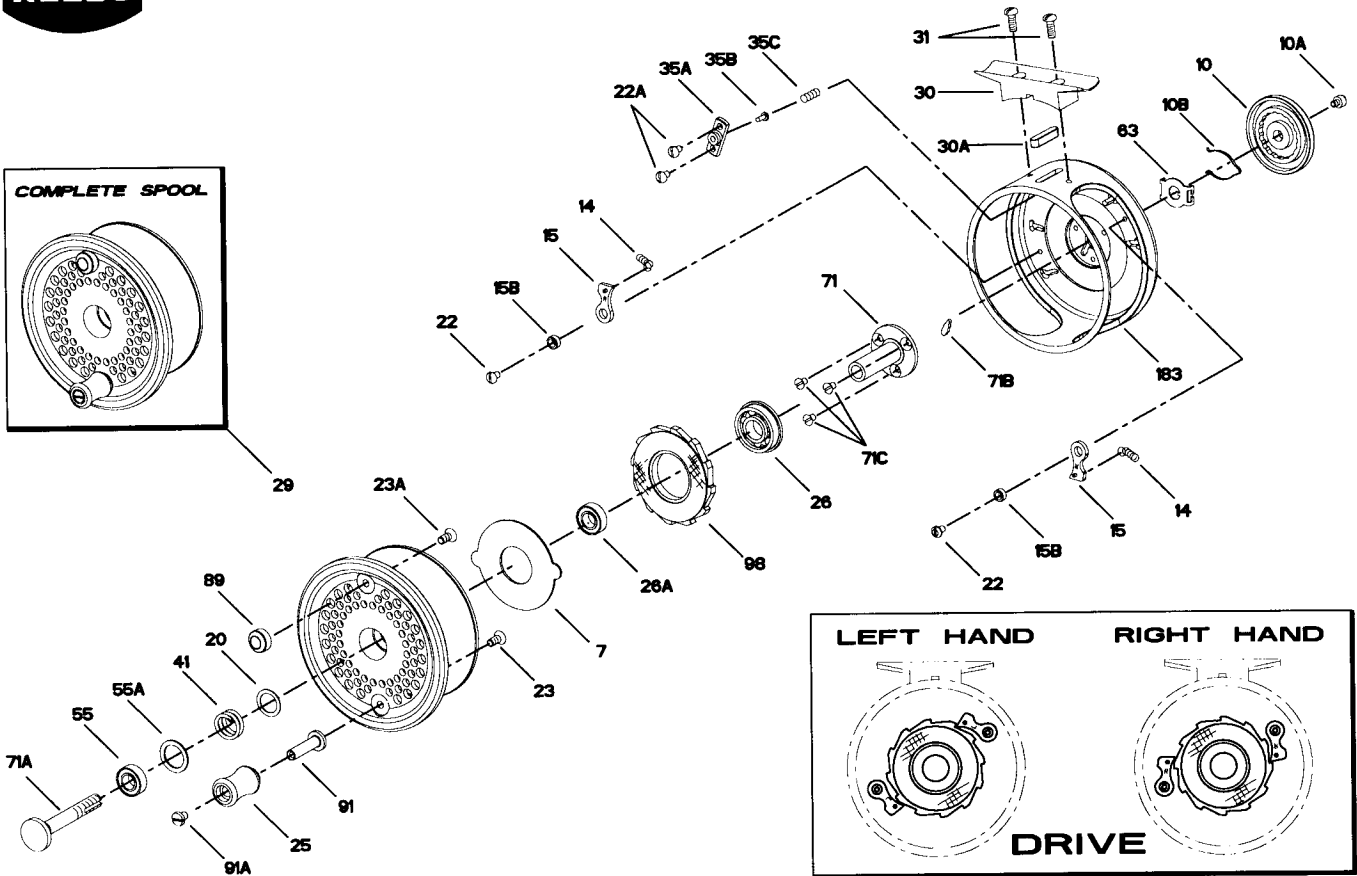




PARTS LIST FOR MODELS 1.5, 1.5G, 2.5, 2.5G, 4 AND 4G



KEY NO.	DESCRIPTION	PART NO.	KEY NO.	DESCRIPTION	PART NO.
7	Metal Drag Washer	7-1.5FR	31	Stand Screw (2 req.)	31-2.5FR
	Metal Drag Washer	7-2.5FR	35A	Click Housing	35A-2.5FR
	Metal Drag Washer	7-4FR	35B	Click Pin	35B-2.5FR
10	Drag Knob	10N-2.5FR	35C	Click Pin Spring	107-60
10A	Retaining Screw	10A-2.5FR	41	Drag Coil Spring (#1.5)	41-2.5FR
10B	Detent Spring	10B-2.5FR		Drag Coil Spring	41-2.5FR
14	Dog Coil Spring (2 req.)	14-500		Drag Coil Spring	41-4FR
15	Dog (#1.5) (2 req.)	15-2.5FR	55	Ball Bearing (Outer)	55-320
	Dog (2 req.)	15-2.5FR	55A	Bearing Washer	55A-2.5FR
	Dog (2 req.)	15-4FR	63	Spring Retainer	63-2.5FR
15B	Dog Bushing (2 req.)	15B-2.5FR	71	Spindle	71-1.5FR
20	Spool Thrust Washer (#1.5)	20-2.5FR		Spindle	71-2.5FR
	Spool Thrust Washer	20-2.5FR		Spindle (#4)	71-2.5FR
	Spool Thrust Washer	20-4FR	71A	Spindle Stud	71AN-1.5FR
22	Dog Screw (2 req.)	22-2.5FR		Spindle Stud	71AN-2.5FR
22A	Click Housing Screw (2 req.)	22-2.5FR		Spindle Stud	71AN-4FR
23	Handle Post Screw	23-2.5FR	71B	Spindle Lock Key	71B-2.5FR
23A	Counter Balance Screw	23A-2.5FR	71C	Spindle Screw (3 req.)	71C-2.5FR
25	Handle Knob (#1.5)	25-2.5FR	89	Counter Balance (#1.5)	89-2.5FR
	Handle Knob	25-2.5FR		Counter Balance	89-2.5FR
	Handle Knob	25-4FR		Counter Balance	89-4FR
26	Flange Bearing	26-2.5FR	91	Handle Post (#1.5)	91-2.5FR
26A	Ball Bearing (Inner)	26A-2.5FR		Handle Post	91-2.5FR
29	Spool Assembly (Complete)	29L-1.5FR		Handle Post	91-4FR
	Spool Assembly (Complete)	29L-2.5FR	91A	Handle Screw	91A-2.5FR
	Spool Assembly (Complete)	29L-4FR	98	Drag Washer/Ratchet	98-1.5FR
30	Stand	30-1.5FR		Drag Washer/Ratchet	98-2.5FR
	Stand	30-2.5FR		Drag Washer/Ratchet	98-4FR
	Stand	30-4FR	183	Frame	183N-1.5FR
30A	Stabilizer Bar	30A-2.5FR		Frame	183N-2.5FR
				Frame	183N-4FR

NOTES: To order parts for a Gold International Fly Reel, be sure to order parts with "G" suffix.
 To order parts for a Black International Fly Reel, omit "G" suffix from part number.
 Schematic view shows parts oriented for right hand drive.