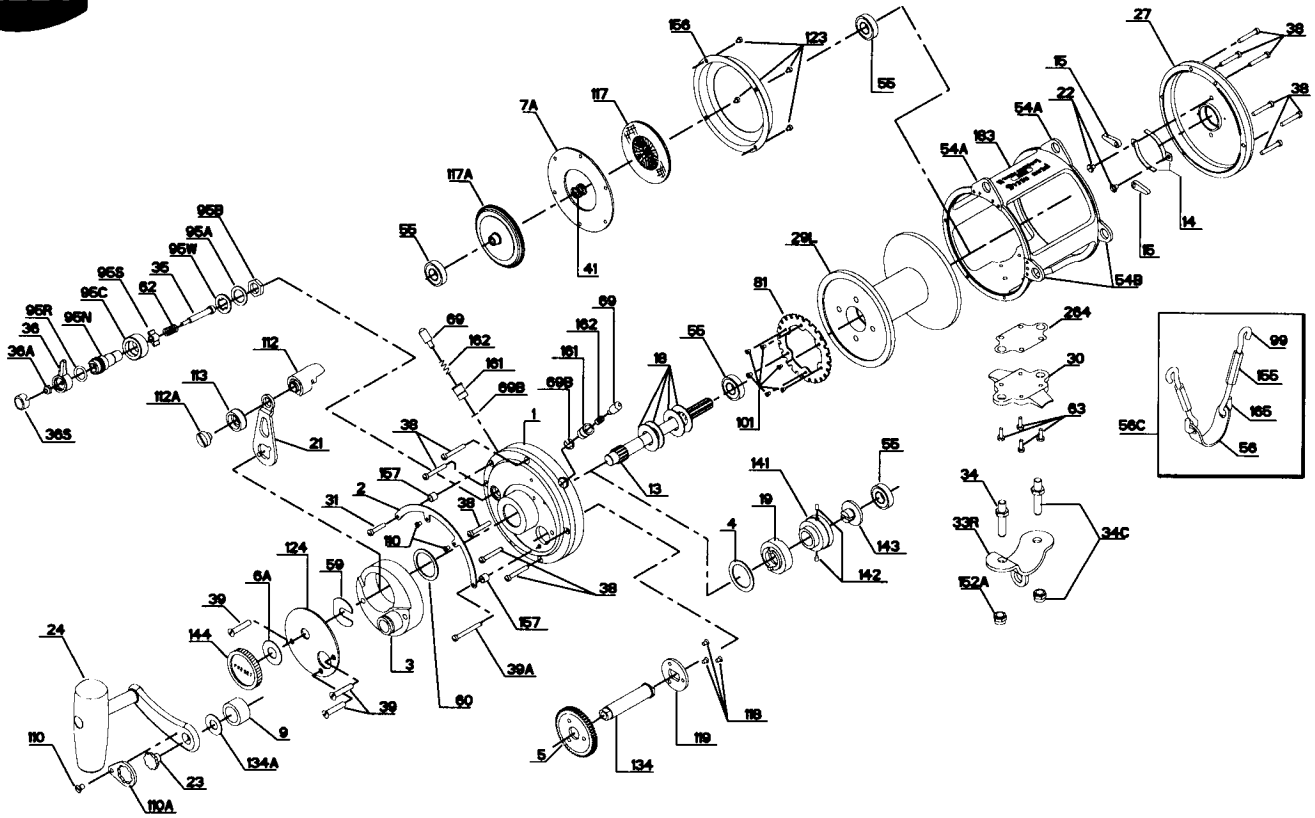




## PARTS LIST FOR MODELS 80T AND 80TW



KEY NO.	DESCRIPTION	PART NO.	KEY NO.	DESCRIPTION	PART NO.
1	R.S. Plate Assembly	1-80T	62	Click Spring	62-50
2	Quadrant Ring	2-80	63	Stand Screws (4 req.)	63-30T
3	Bridge Assembly	3-80	69	Locating Pins (2 req.)	69-50
4	Cam Thrust Washer	4-80	69B	Retaining Rings (2 req.)	69B-50
5	Main Gear	5-80	81	Ratchet	81-80S
6A	Spacer Washer	6-155	95A	Click Bushing Washer	95A-20
7A	Metal Drag Washer	7A-80	95B	Click Bushing Nut	38-710
9	Sleeve Spacer	9-80	95C	Click Adjustment Ring	95C-80ST
13	Pinion Gear	13-80	95N	Click Tongue Bushing	95N-80ST
14	Dog Springs (2 req.)	13-80W	95R	Click O-Ring	95R-80ST
15	Dogs (2 req.)	14-50	95S	Click Spring Slider	95S-80ST
18	Disc Clutch Springs (2 req.)	15-50	95W	Eared Spring Washer	95W-80ST
19	Eccentric Cam	18-80W	99	Left Hand Hook Screws (2 req.)	99-116
21	Eccentric Cam Lever	19H-80	101	Ratchet Screws (6 req.)	101-30
22	Dog Spring Screws (2 req.)	21-80	110	Handle Lock Screws (3 req.)	110-50
23	Handle Screw	22-109	110A	Handle Locking Plate	110A-50
24	Handle Complete	23-116	112	Eccentric Lever Knob	112-50
27	L.S. Plate Assembly	24-80ST	112A	Eccentric Knob Screw	112A-50
29L	Spool	27-80T	113	Eccentric Lever Cap	113-50
30	Stand	29L-80S	117	Drive Plate (Outer)	117D-80T
31	Short Quadrant Screw	29L-80SW	117A	Inner Drive (Inner)	117A-80T
33R	Rod Clamp	30-80S	118	Coupling Plate Screws (3 req.)	118-80
34	Rod Clamp Screws W/Nuts (2 req.)	31-20	119	Coupling Plate	119-80
34C	Clamp Screw (Only)	33-130ST	123	Drag Cover Screws (4 req.)	123-50
35	Click Tongue	34-80T	124	Bridge Cover	124-80
36	Click Button	34C-80T	134	Gear Stud	134A-80
36A	Click Button Nut	35-80T	134A	Gear Stud Washer	134A-80
36S	Click Button Cap	36-80ST	141	Cam Follower	141-80
38	Frame Screw (11 req.)	36-700	142	Cam Follower Pins (2 req.)	142-80ST
39	Bridge Cover Screws (3 req.)	36S-80ST	143	Adjusting Screw	143-80
39A	Long Quadrant Screw	38-50	144	Preset Knob	144-50
41	L.S. Bearing Spring	39-12	152A	Rod Clamp Acorn Nuts (2 req.)	152A-80T
54A	Top Harness Lugs (2 req.)	39-50	155	Turnbuckles (2 req.)	155-116
54B	Bottom Harness Lugs (2 req.)	41-50	156	Drag Cover	156-80
55	Ball Bearing (4 req.)	54A-80S	157	Quadrant Spacer Bushings (2 req.)	157-50
56	Rod Brace	54B-80S	161	Locating Pin Bushings (2 req.)	161-50
56C	Rod Brace (Complete)	55-80	162	Locating Pin Springs (2 req.)	162-50
59	Slotted Washer	56-116	165	Right Hand Hook Screws (2 req.)	165-116
60	Backing Washer	56C-116	183	Tube Frame	183-80T
		59-50		Tube Frame	183-80TW
		60-50	264	Stand Gasket	264-80T