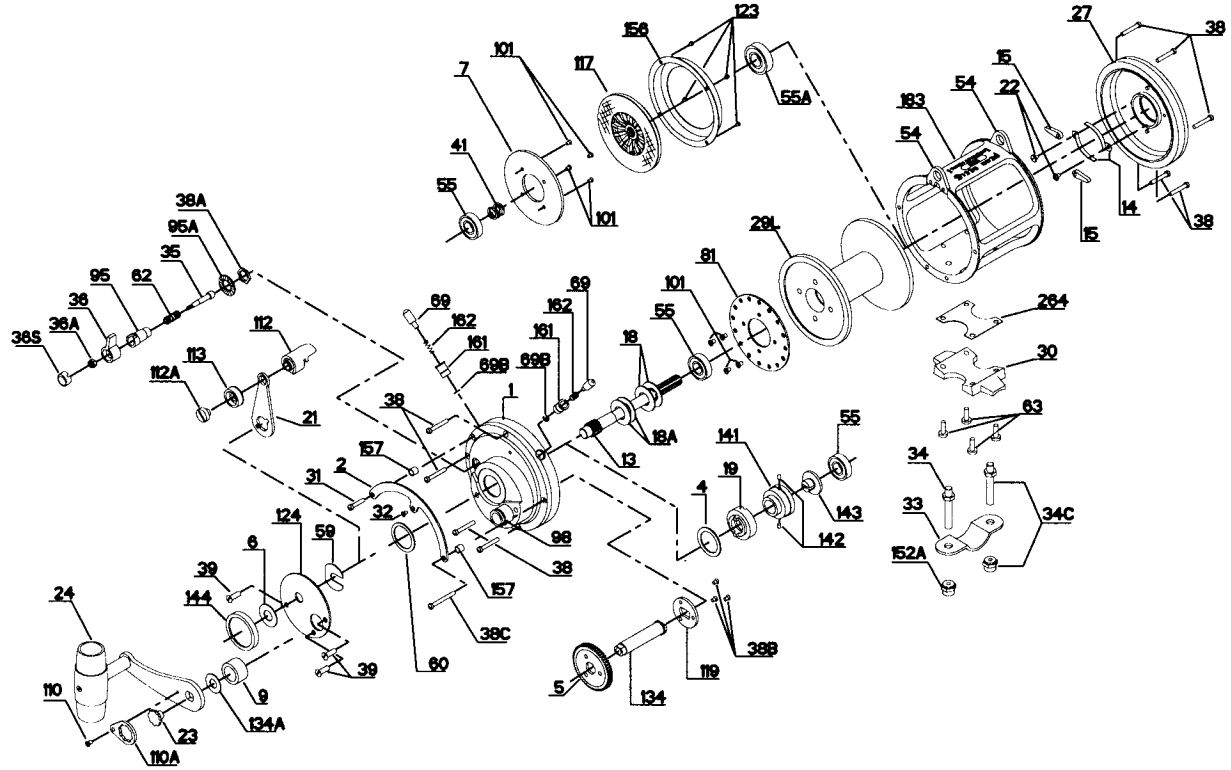




PARTS LIST FOR MODEL 50T AND 50TW



KEY NO.	DESCRIPTION	PART NO.	KEY NO.	DESCRIPTION	PART NO.
1	R.S. Plate Assembly	1-50TN	41	L.S. Bearing Spring	41-50
2	Quadrant Ring	2-50	54	Harness Lugs (2 req.)	54-50T
4	Cam Thrust Washer	4-50	55	Spool Bearings (2 req.)	55-50
5	Main Gear	5-50	55A	L.S. Bearing	55-80
6	Spacer Washer	5-50W	59	Slotted Washer	59-50
7	Metal Drag Washer	6-155	60	Backing Washer	60-50
9	Spacing Sleeve	7-50	62	Click Spring	62-50
13	Pinion Gear	9-30	63	Stand Screw (4 req.)	63-30T
14	Pinion Gear	13-50	69	Locating Pins (2 req.)	69-50
15	Dog Spring (2 req.)	13-50W	69B	Retaining Rings (2 req.)	69B-50
18	Dog (2 req.)	14-50	81	Ratchet	81-50
18A	Disc Springs (2 req.)	15-50	95	Click Bushing	95-50
19	Disc Springs (2 req.)	18-50W	95A	Click Bushing Washer	95A-20
21	Eccentric Cam	18-50TW	98	Bridge Bushing	98-50TN
22	Eccentric Cam Lever	19-50W	101	Drive Plate Screws (8 req.)	101-30
23	Dog Spring Screw	21-50	110	Handle Lock Screw	110-50
24	Handle	22-109	110A	Handle Locking Plate	110A-50
27	L.S. Plate	23-114	112	Eccentric Lever Knob	112-50
29	Spool	24-50T	112A	Eccentric Knob Screw	112A-50
30	Stand	27-50T	113	Eccentric Lever Cap	113-50
31	Short Quadrant Screw	29L-50T	117	Drive Plate w/Drag Washer	117D-50
32	Center Quadrant Screw	29L-50TW	119	Main Gear Plate	119-50
33	Rod Clamp	30-50T	123	Drag Cover Screws (4 req.)	123-50
34	Ringed Rod Clamp (Optional)	31-20	124	Bridge Cover	124-50
34C	Clamp Screws (2 req.)	32-14	134	Gear Stud	134-50
35	Rod Clamp Screw w/Nut	33-114	134A	Gear Stud Washer	134A-50
36	Click Tongue	*33R-114	141	Cam Follower	141-50
36A	Click Button	34-50T	142	Cam Follower Pins (2 req.)	142-50
36S	Click Button Nut	34C-50T	143	Adjusting Screw	143-50
38	Frame Screw (9 req.)	35-50	144	Preset Knob	144-50
38A	Click Bushing Nut	36-50	152A	Rod Clamp Acorn Nuts (2 req.)	152A-50T
38B	Coupling Plate Screw (3 req.)	36-700	156	Drag Cover	156-50
38C	Long Quadrant Screw	36S-80ST	157	Quadrant Bushing (2 req.)	157-50
39	Bridge Cover Screw (3 req.)	38-50	161	Locating Pin Bushing (2 req.)	161-50
NOTE	Bridge Use For OLD STYLE R.S. Plate	38-710	162	Locating Pin Springs (2 req.)	162-50
		38-7	183	Tube Frame	183-50T
		38-80		Tube Frame	183-50TW
		39A-80S		Stand Gasket	264-30T
		3-50			

*Not Shown