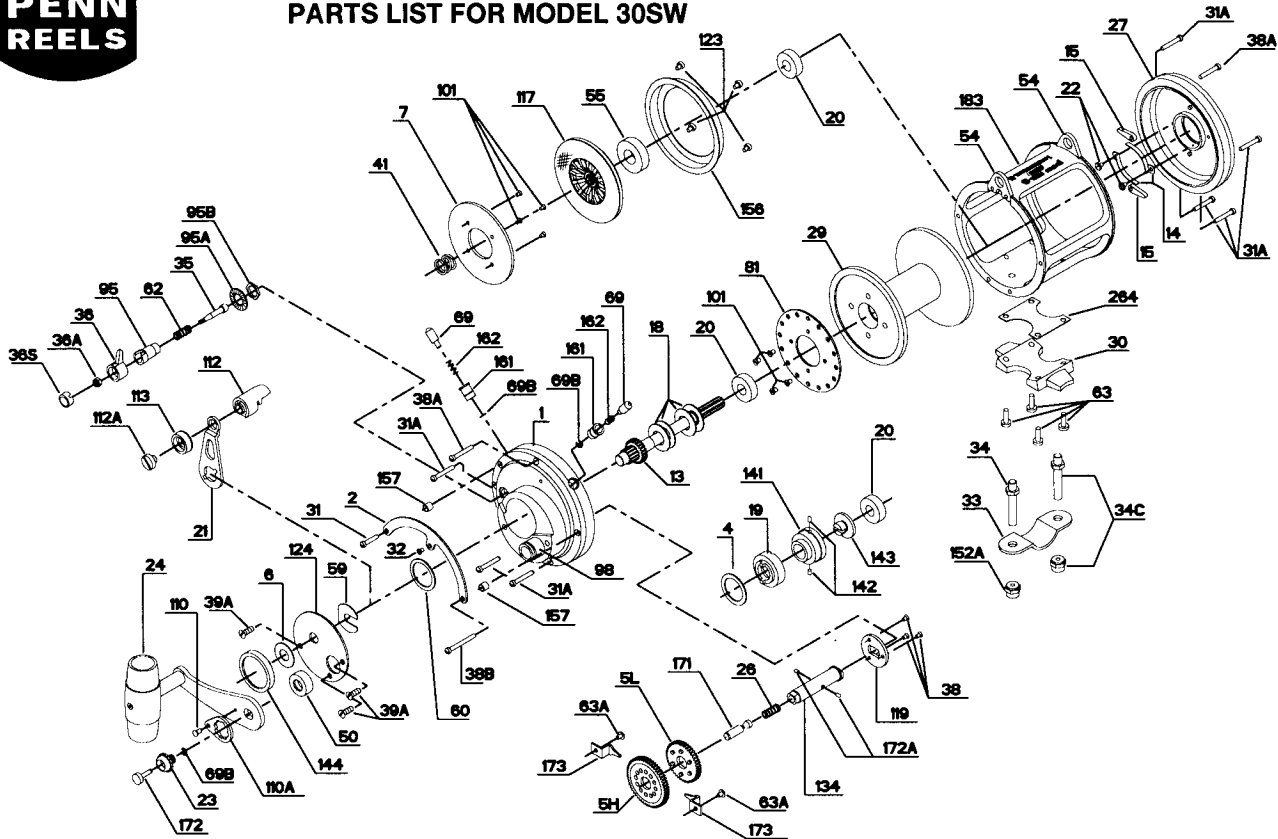




PARTS LIST FOR MODEL 30SW



KEY NO.	DESCRIPTION	PART NO.	KEY NO.	DESCRIPTION	PART NO.
1	Right-Side Plate Assembly	1-30SN	54	Harness Lug (2 req.)	54-30T
2	Quadrant Ring	2-30	55	Ball Bearing	55-80
4	Cam Thrust Washer	4-30	59	Slotted Washer	59-50
5H	Main Gear High Speed	5-30HS	60	Backing Washer	60-50
5L	Main Gear Low Speed	5-30LS	62	Click Spring	62-50
6	Spacer Washer	6-155	63	Stand Screw (4 req.)	63-30T
7	Metal Drag Washer	7-30	63A	Hold Down Screw	63-349
13	Pinion Gear	13-30SW	69	Locating Pin (2 req.)	69-50
14	Dog Spring (2 req.)	14-50	69B	Retaining Ring (3 req.)	69B-50
15	Dog (2 req.)	15-50	81	Ratchet	81-50
18	Disc Clutch Spring (4 req.)	18-30TW	95	Click Tongue Bushing	95-50
19	Eccentric Cam	19-20	95A	Click Bushing Washer	95A-20
20	Ball Bearing (3 req.)	20-704	95B	Click Bushing Nut	38-710
21	Eccentric Lever	21-30S	98	Bridge Bushing	98-30SN
22	Dog Spring Screw (2 req.)	22-109	101	Drive Plate Screw (8 req.)	101-30
23	Handle Screw	23-50S	110	Handle Lock Screw	110-50
24	Handle Complete	24-30TW	110A	Handle Locking Plate	110A-50
26	Gear Stud Spring	18-349	112	Eccentric Lever Knob	112-50
27	L.S. Plate Assembly	27-30T	112A	Eccentric Knob Screw	112A-50
29	Spool	29L-30TW	113	Eccentric Lever Cap	113-50
30	Stand	30-20T	117	Drive Plate w/Drag Washer	117D-30
31	Short Quadrant Screw	31-20	119	Coupling Plate	119-30S
31A	Frame Screw (7 req.)	31-80	123	Drag Cover Screw (4 req.)	123-50
32	Center Quadrant Screw	32-14	124	Bridge Cover	124-30S
33	Rod Clamp	33-114	134	Gear Stud	134-50S
34	Ringed Rod Clamp (Optional)	*33R-114	141	Cam Follower	141-30
34C	Clamp Screw (2 req.)	34-50T	142	Cam Follower Pin (2 req.)	142-50
35	Click Tongue	34C-50T	143	Adjusting Screw	143-30
36	Click Button	35-50	144	Preset Knob	144-50
36A	Click Button Nut	36-50	152A	Rod Clamp Acorn Nut (2 req.)	152A-50T
36S	Click Button Cap	36-700	156	Drag Cover	156-30T
38	Coupling Plate Screw (3 req.)	36S-80ST	157	Quadrant Spacer Bushing (2 req.)	157-50
38A	Frame Screw (2 req.)	101-50S	161	Locating Pin Bushing (2 req.)	161-50
38B	Long Quadrant Screw	38-50	162	Locating Pin Spring (2 req.)	162-50
39A	Cover Screw (3 req.)	38-80	171	Plunger	171-50S
41	L.S. Bearing Spring	39A-80S	172	Plunger Cap	172-50S
50	Shield	41-50	172A	Plunger Pin (2 req.)	172A-50S
Note:	Bridge Use for OLD STYLE R.S. Plate	50-30S	173	Gear Ratainer	173-50S
		3-30S	183	Tube Frame	183-30SW
			264	Stand Gasket	264-30T

*Not Shown