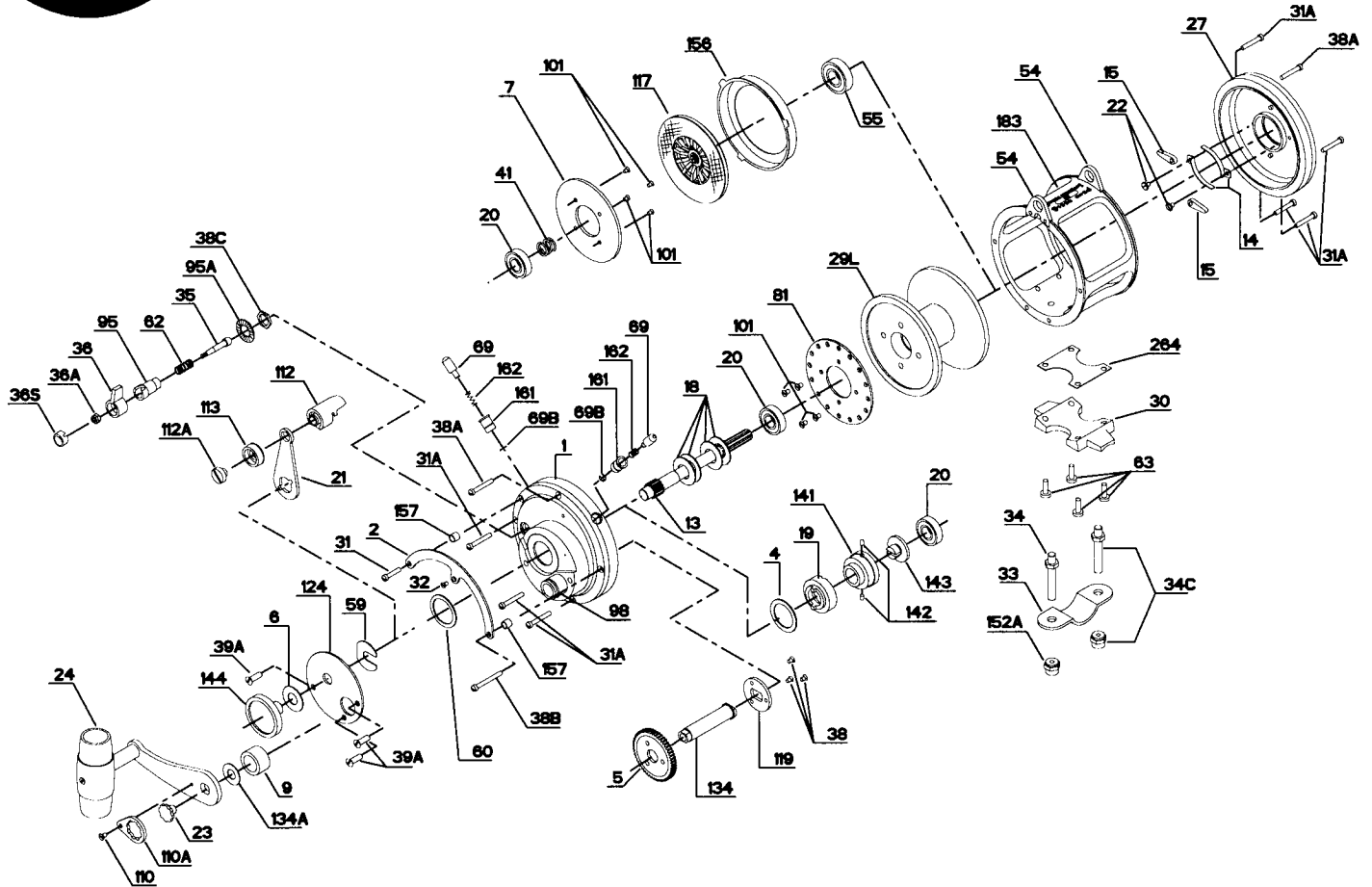




## PARTS LIST FOR MODEL 20T



KEY NO.	DESCRIPTION	PART NO.	KEY NO.	DESCRIPTION	PART NO.
1	Right Side Plate Assembly	1-20TN	41	L.S. Bearing Spring	41-50
2	Quadrant Ring	2-30	54	Harness Lug (2 req.)	54-30T
4	Cam Thrust Washer	4-30	55	Left-Side earing	55-80
5	Main Gear High Speed	5-50	59	Slotted Washer	59-50
6A	Preset Spacer Washer	6-155	60	Backing Washer	60-50
7	Metal Drag Washer	7-30	62	Click Spring	62-50
9	Spacing Sleeve	9-30	63	Stand Screw (4 req.)	63-30T
13	Pinion Gear	13-20	69	Locating Pin (2 req.)	69-50
14	Dog Spring (2 req.)	14-50	69B	Retaining Ring (2 req.)	69B-50
15	Dog (2 req.)	15-50	81	Ratchet	81-50
18	Disc Clutch Spring (4 req.)	18-20	95	Click Tongue Bushing	95-50
19	Eccentric Cam	19-20	95A	Click Bushing Washer	95A-20
20	Ball Bearing (3 req.)	20-704	98	Bridge Bushing	98-30TN
21	Eccentric Lever	21-30	101	Drive Plate Screw (8 req.)	101-30
22	Dog Spring Screw (2 req.)	22-109	110	Handle Lock Screw	110-50
23	Handle Screw	23-114	110A	Handle Locking Plate	110A-50
24	Handle Complete	24-30	112	Eccentric Lever Knob	112-50
27	L.S. Plate Assembly	27-20T	112A	Eccentric Knob Screw	112A-50
29L	Spool	29L-20	113	Eccentric Lever Cap	113-50
30	Stand	30-20T	117	Drive Plate w/ Drag Washer	117D-30
31	Short Quadrant Screw	31-20	119	Coupling Plate	119-50
31A	Frame Screw (7 req.)	31-80	124	Bridge Cover	124-30
32	Center Quadrant Screw	32-14	134	Gear Stud	134-50
33	Rod Clamp	33-49	134A	Gear Stud Washer	134A-50
34	Rod Clamp Screw (2 req.)	34-30T	141	Cam Follower	141-30
34C	Rod Clamp Screw w/Nut	34C-30T	142	Follower Pin (2 req.)	142-50
35	Click Tongue	35-50	143	Adjusting Screw	143-30
36	Click Button	36-50	144	Preset Knob	144-50
36A	Click Button Nut	36-700	152A	Rod Clamp Acorn Nut (2 req.)	152A-30T
36S	Click Button Cap	36S-80ST	156	Drag Cover	156-30
38	Coupling Plate Screw (3 req.)	38-7	157	Quadrant Spacer Bushing (2 req.)	157-50
38A	Frame Screw (2 req.)	38-50	161	Locating Pin Bushing (2 req.)	161-50
38B	Long Quadrant Screw	38-80	162	Locating Pin Spring (2 req.)	162-50
38C	Click Bushing Nut	38-710	183	Tube Frame	183-20T
39A	Bridge Cover Screw (3 req.)	39A-80S	264	Stand Gasket	264-30T