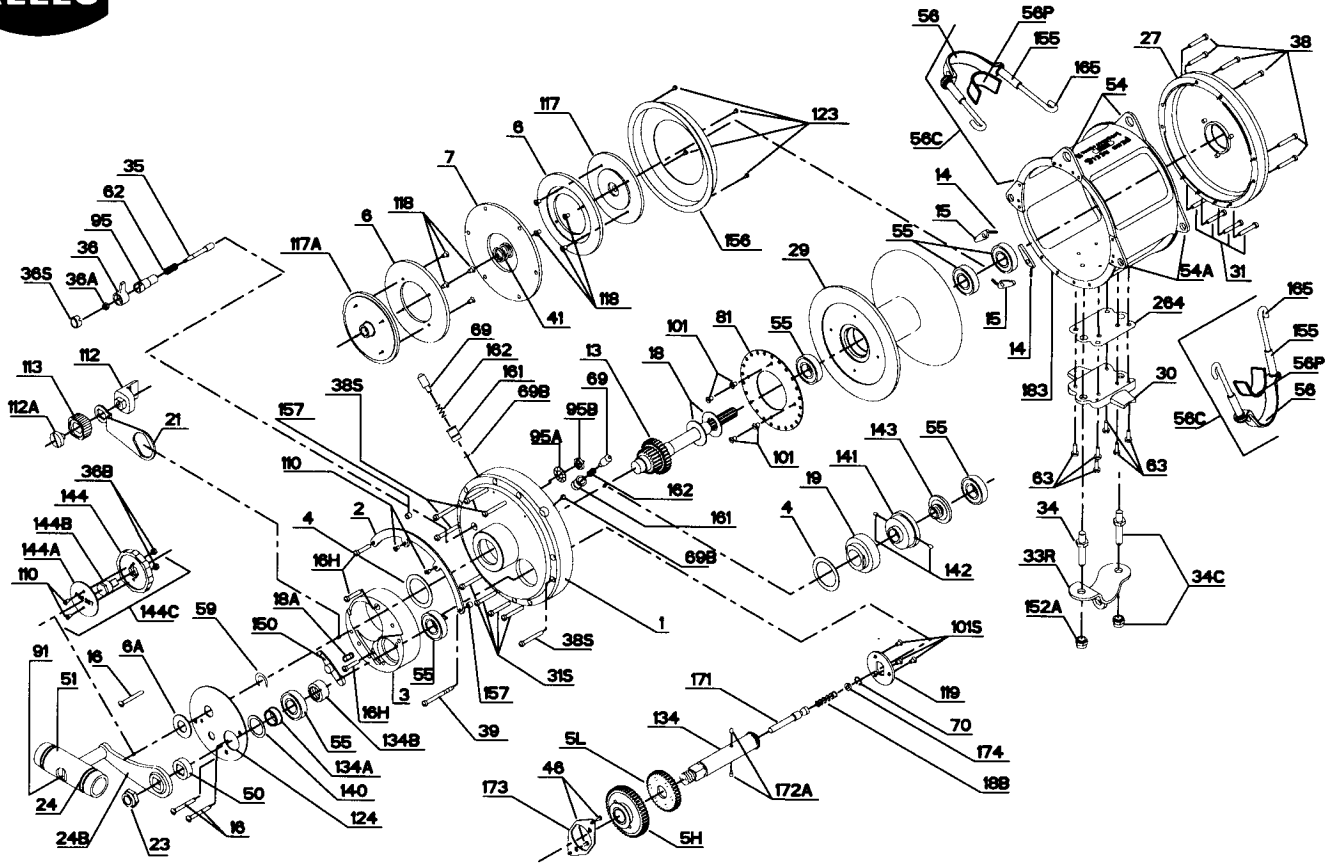




## PARTS LIST FOR MODEL 130ST



| KEY NO. | DESCRIPTION                             | PART NO.  | KEY NO. | DESCRIPTION                      | PART NO.   |
|---------|---|-----------|---------|----------------------------------|------------|
| 1       | R.S. Plate Assembly                     | 1-130ST   | 63      | Stand Screw (6 req.)             | 63-30T     |
| 2       | Quadrant Ring                           | 2-130     | 62      | Click Spring                     | 62-50      |
| 3       | Bridge                                  | 3-130ST   | 69      | Locating Pin (2 req.)            | 69-130     |
| 4       | Cam Thrust Washer (2 req.)              | 4-130     | 69B     | Retaining Ring (2 req.)          | 69B-130    |
| 5H      | Main Gear High Speed                    | 5-130HS   | 70      | Retaining Ring                   | 69B-130S   |
| 5L      | Main Gear Low Speed                     | 5-130LS   | 81      | Ratchet                          | 81-130     |
| 6       | Drag Washer Assembly                    | 6-130     | 91      | Handle Shaft                     | 91-130     |
| 6A      | Drag Knob Spacer Washer                 | 6-155     | 95      | Click Tongue Bushing             | 95-130     |
| 7       | Floating Drag Washer                    | 7A-130    | 95A     | Click Bushing Washer             | 95A-20     |
| 13      | Pinion Gear                             | 13-130ST  | 95B     | Click Bushing Nut                | 95B-710    |
| 14      | Dog Spring (3 req.)                     | 49-710    | 101     | Screw - Ratchet (4 req.)         | 101-30     |
| 15      | Dog                                     | 15-130    | 101S    | Screw - Coupling Plate (3 req.)  | 101-130S   |
| 16      | Bridge Mounting Screw (3 req.)          | 16-130    | 110     | Quadrant Center Screw (2 req.)   | 110-50     |
| 16H     | Bridge Mounting Screw (Hidden) (3 req.) | 16H-130   | 110A    | Preset Plate Screw (2 req.)      | 110-50     |
| 18      | Disc Clutch Spring (2 req.)             | 18-130    | 112     | Eccentric Lever Knob             | 112-130    |
| 18A     | Preset Lock Spring                      | 18-60     | 112A    | Eccentric Knob Screw             | 112A-130   |
| 18B     | Gear Stud Spring                        | 18-130S   | 113     | Eccentric Lever Cap              | 113-130    |
| 19      | Eccentric Cam                           | 19-130    | 117     | Drive Plate (Outer)              | 117-130    |
| 21      | Eccentric Lever                         | 21-130ST  | 117A    | Drive Plate (Inner)              | 117A-130   |
| 23      | Handle Nut                              | 23-130    | 118     | Drive Plate Screw (8 req.)       | 118-80S    |
| 24      | Handle Complete                         | 24-130    | 119     | Coupling Plate                   | 119-130S   |
|         | Handle Blank (Only)                     | 24-130B   | 123     | Drag Cover Screw (4 req.)        | 123-50     |
| 27      | L.S. Plate Assembly                     | 27-130ST  | 124     | Bridge Cover                     | 124-130ST  |
| 29      | Spool                                   | 29L-130   | 134     | Gear Stud                        | 134-130S   |
| 30      | Stand                                   | 30-130ST  | 134A    | Indicator Bushing                | 134A-130S  |
| 31      | Stand Screw Left Side (4 req.)          | 31-130    | 134B    | Bearing Spacer Bushing           | 134B-130S  |
| 31S     | Stand Screw Right Side (4 req.)         | 31-130S   | 140     | Thrust Washer                    | 4-30       |
| 33      | Ringed Rod Clamp                        | 33-130ST  | 141     | Cam Follower                     | 141-130ST  |
| 34      | Clamp Screw (2 req.)                    | 34-130ST  | 142     | Cam Follower Pin (2 req.)        | 142-130    |
| 34C     | Rod Clamp Screw w/Nut                   | 34C-130ST | 143     | Adjusting Screw                  | 143-130ST  |
| 35      | Click Tongue                            | 35-130S   | 144     | Preset Knob                      | 144-130ST  |
| 36      | Click Button                            | 36-50     | 144A    | Preset Knob Plate                | 144A-130ST |
| 36A     | Click Button Nut                        | 36-700    | 144B    | Preset Knob Insert               | 144B-130ST |
| 36B     | Preset Knob Nut (2 req.)                | 36-700    | 144C    | Preset Knob Assembly Complete    | 144C-130ST |
| 36S     | Click Button Cap                        | 36S-80ST  | 150     | Preset Lock Button               | 150-130ST  |
| 38      | Post Screw Left Side (6 req.)           | 38-130    | 152A    | Acorn Nut                        | 152A-80T   |
| 38S     | Post Screw Right Side (5 req.)          | 38-130S   | 155     | Turnbuckle                       | 155-130    |
| 39      | Long Quadrant Screw                     | 39-130S   | 156     | Drag Cover                       | 156-130    |
| 41      | L.S. Bearing Spring                     | 41-130    | 157     | Quadrant Spacer Bushing (2 req.) | 157-130    |
| 46      | Screw                                   | 46A-704   | 161     | Locating Pin Bushing (2 req.)    | 161-130    |
| 50      | Shield                                  | 50-130S   | 162     | Locating Pin Spring (2 req.)     | 162-130    |
| 51      | Handle Knob Assembly                    | 51-130    | 165     | Hook Screw R.H.                  | 165-130    |
| 54      | Harness Lug (2 req.)                    | 54-130    | 171     | Plunger                          | 171-130S   |
| 54A     | Rod Brace Lug (4 req.)                  | 54A-130   | 172A    | Plunger Pin (2 req.)             | 172A-130S  |
| 55      | Ball Bearing (6 req.)                   | 55-130    | 173     | Gear Retainer                    | 173-130S   |
| 56      | Rod Brace                               | 56-130    | 174     | Gear Stud Plug                   | 174-130S   |
| 56C     | Rod Brace Assembly (2 req.)             | 56CN-117  | 183     | Frame                            | 183-130ST  |
| 56P     | Rod Brace Pad                           | 56P-117   | 264     | Stand Gasket                     | 264-130ST  |
| 59      | Slotted Washer                          | 59-130ST  |         |                                  |            |