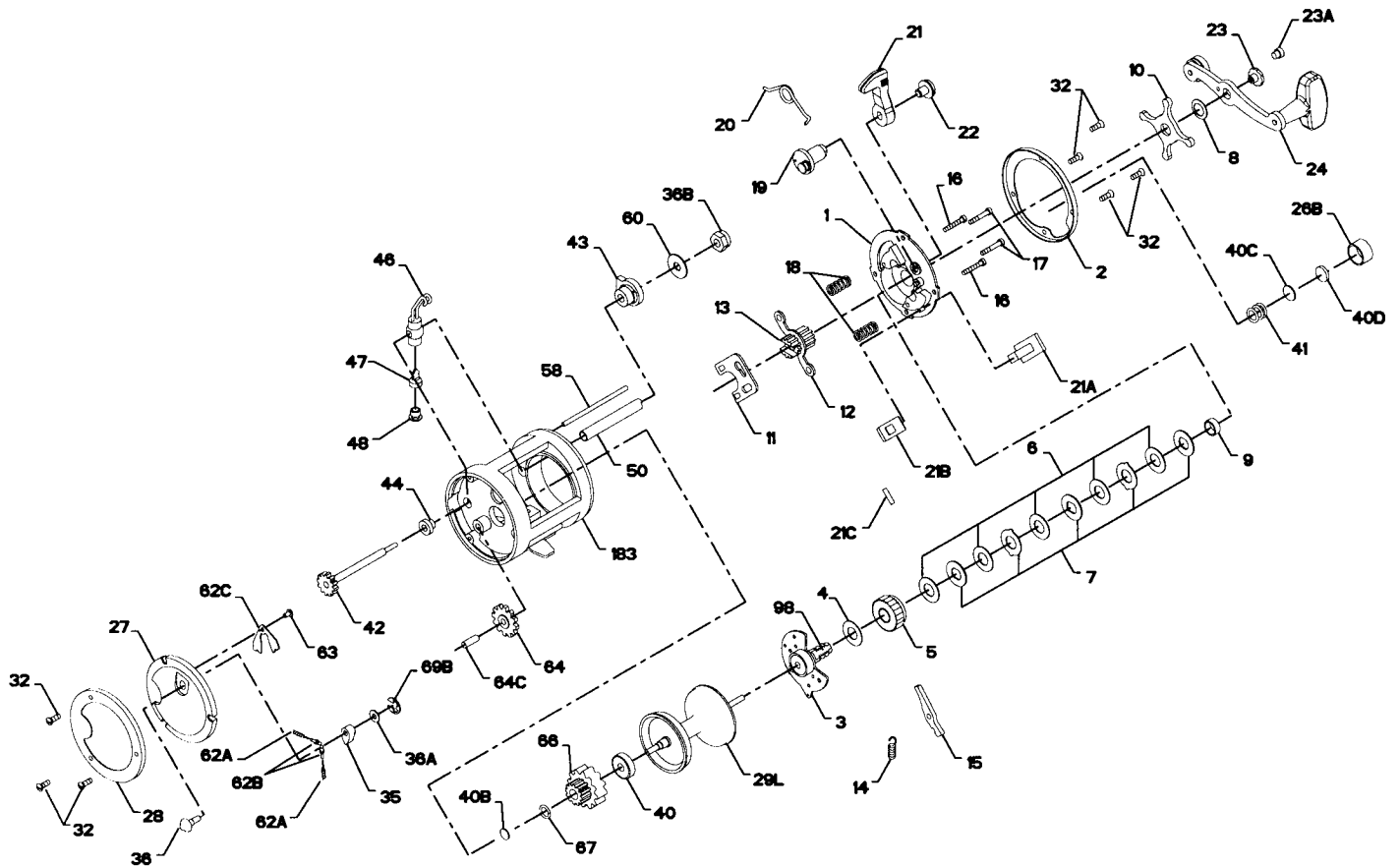




## PARTS LIST FOR MODEL 310GTI



| KEY NO. | DESCRIPTION                   | PART NO. | KEY NO. | DESCRIPTION               | PART NO. |
|---------|-------------------------------|----------|---------|---------------------------|----------|
| 1       | Right Side Plate              | 1-310    | 29L     | Spool Assembly            | 29L-310  |
| 2       | Right Side Ring               | 2-310    | 32      | Side Plate Screw (7 req.) | 32-310   |
| 3       | Bridge Assembly               | 3-310    | 35      | Click Tongue              | 35-310N  |
| 4       | Fiber Washer                  | 4-155    | 36      | Click Button              | 36-310   |
| 5       | Main Gear                     | 5-310    | 36A     | Click Button Washer       | 36A-40   |
| 6       | Friction Drag Washer (5 req.) | 6-60     | 36B     | Worm Shaft Nut            | 36-700   |
| 7       | Metal Drag Washer (Set of 5)  | 7C-310   | 40      | Left Side Bearing         | 40-310   |
| 8       | Tension Spring                | 8-60     | 40B     | L.S. Metal Thrust Washer  | 40C-310  |
| 9       | Spacing Sleeve                | 9-310    | 40C     | R.S. Metal Thrust Washer  | 40C-320  |
| 10      | Star Drag                     | 10-310   | 40D     | Rubber Thrust Washer      | 40D-320  |
| 11      | Eccentric Jack                | 11-310   | 41      | Right Side Thrust Spring  | 41-330   |
| 12      | Pinion Yoke                   | 12-9     | 42      | Worm Assembly             | 42-310   |
| 13      | Pinion Gear                   | 13-310   | 43      | Right Side Worm Bearing   | 43-320   |
| 14      | Dog Spring                    | 14-10    | 44      | Left Side Worm Bearing    | 44-320   |
| 15      | Dog                           | 15-310   | 46      | Line Guide Carriage       | 46-310   |
| 16      | Lower Bridge Screw (2 req.)   | 16-310   | 47      | Pawl                      | 47-320   |
| 17      | Upper Bridge Screw (2 req.)   | 17-310   | 48      | Pawl Cover Screw          | 48-330N  |
| 18      | Clutch Spring (2 req.)        | 18-9     | 50      | Worm Shield               | 50-310   |
| 19      | Eccentric Cam                 | 19-310   | 58      | Line Guide Post           | 58-310   |
| 20      | Eccentric Spring              | 20-109   | 60      | Idler Gear Washer         | 60-320   |
| 21      | Eccentric Lever               | 21-310   | 62A     | Click Spring (2 req.)     | 62A-310  |
| 21A     | Direct Drive Button           | 21A-310  | 62B     | Click Pin (2 req.)        | 62B-310  |
| 21B     | Direct Drive Button Spring    | 21B-310  | 62C     | Click Spring Cover        | 62C-310  |
| 21C     | Direct Drive Button Pin       | 21C-310  | 63      | Click Spring Screw        | 63-500S  |
| 22      | Eccentric Screw               | 22-310   | 64      | Idler Gear                | 64-310   |
| 23      | Handle Assembly Screw         | 23-60    | 64C     | Worm Gear Idler Shaft     | 64C-310  |
| 23A     | Handle Lock Screw             | 110-60   | 66      | Spool Gear                | 66-310   |
| 24      | Handle Assembly               | 24-310   | 67      | Lock Spring               | 67-9     |
| 26B     | Spool Tension Control Cap     | 26B-310  | 69B     | Retaining Ring            | 69B-600  |
| 27      | Left Side Plate               | 27-310   | 98      | Gear Sleeve               | 98-310   |
| 28      | Left Side Ring                | 28-310   | 183     | Frame Assembly            | 183-310  |