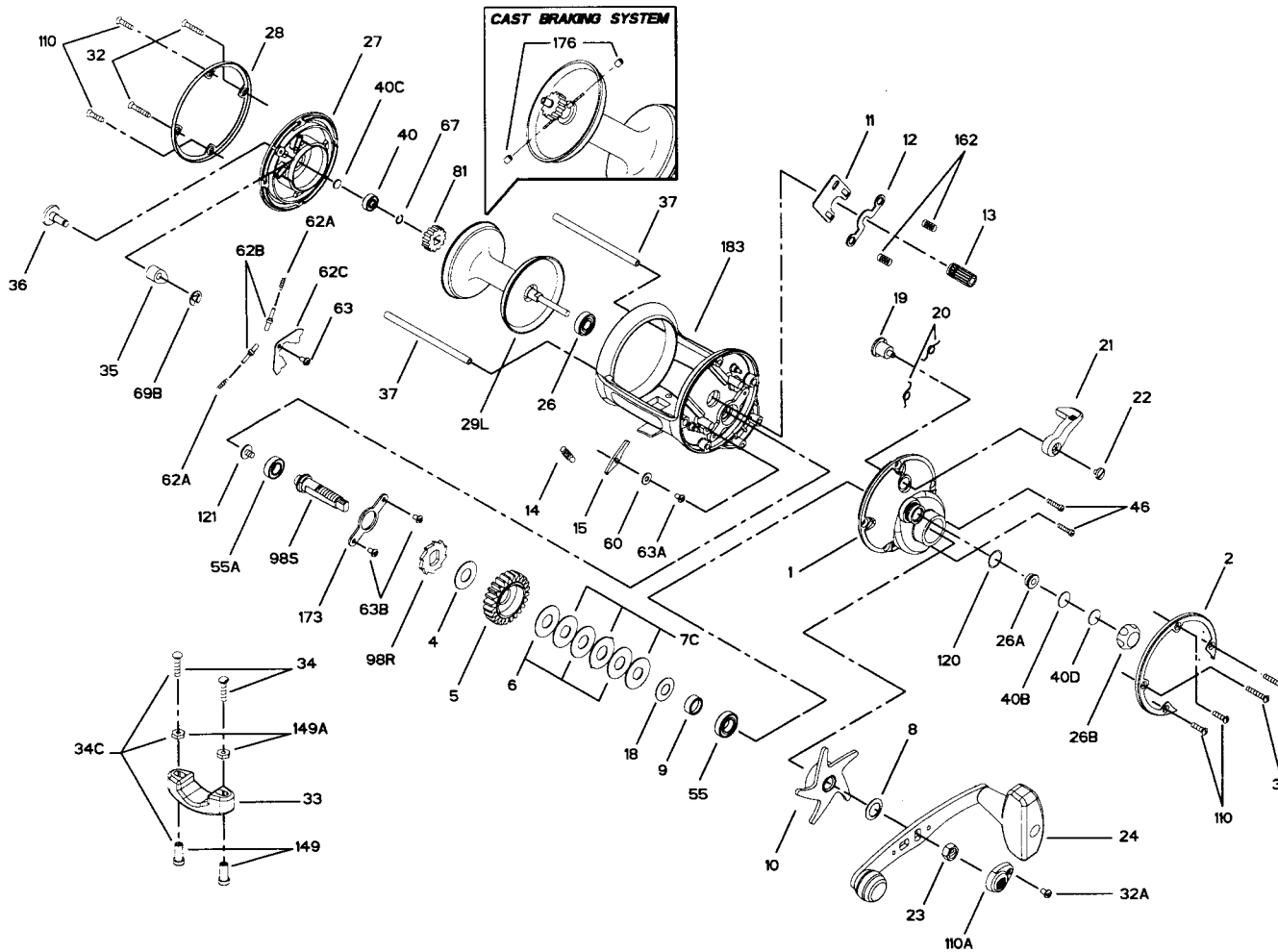




# PARTS LIST FOR MODEL 545GS



KEY NO.	DESCRIPTION	PART NO.
1	Right Side Plate	1-555
2	Right Side Ring	2-555
4	Fiber Washer	4-60
5	Main Gear	5-545
6	Friction Drag Washer (3 req.)	6-49
7C	Metal Drag Washer (Set)	7C-49
8	Tension Spring Washer	8-60
9	Spacing Sleeve	9-555
10	Drag Star	10-555
11	Eccentric Jack	11-555
12	Pinion Yoke	12-555
13	Pinion Gear	13-545

KEY NO.	DESCRIPTION	PART NO.
14	Dog Spring	14-330
15	Dog	15-340
18	Tension Spring Washer	18-505
19	Eccentric	19-555
20	Eccentric Spring (2 req.)	20-155
21	Eccentric Lever	21-310
22	Eccentric Screw	22-310
23	Handle Nut	23-555
24	Handle	24-555
26	R.S. Spool Ball Bearing	26-25
26A	Right Side Bushing	26-555
26B	Spool Tension Control Cap	26B-555
27	Left Side Plate	27-545
28	Left Side Ring	28-555
29L	Aluminum Spool Assembly	29L-545
32	Frame Post Screw (4 req.)	32-310
32A	Handle Lock Screw	32-15
33	Rod Clamp	33-113
34	Rod Clamp Screw (2 req.)	34-45
34C	Rod Clamp Screw w/Nuts	34C-45
35	Click Tongue	35-310N
36	Click Button	36-555
37	Frame Post (2 req.)	37-535
40	L.S. Spool Ball Bearing	40-320
40B	Metal Thrust Washer	40C-555
40C	Metal Thrust Washer	40C-310
40D	Rubber Thrust Washer	40D-555
46	Side Plate Screw (2 req.)	46-4300
55	Ball Bearing	55-12H
55A	Ball Bearing	20-722
60	Washer	60-555
62A	Click Spring (2 req.)	62-545
62B	Click Pin (2 req.)	62B-310
62C	Click Spring Cover	62C-310
63	Click Spring Screw	63-500S
63A	Dog Screw	22-750
63B	Retaining Ring	63-330
67	Lock Ring	67-9
69B	Retaining Ring	69B-600
81	Click Ratchet	81-555
98R	Main Gear Ratchet	98-555
98S	Gear Stud	134-555
110	Side Plate Short Screw (4 req.)	110-50
110A	Handle Nut Lock Cap	110A-555
120	O-Ring	120-113H
121	Bearing Screw	121-555
149	Rod Clamp Nut (2 req.)	149-45
149A	Rod Clamp Hex Nut (2 req.)	149-200
162	Clutch Spring (2 req.)	162-130
173	Bearing Retainer	173-555
176	Casting Brakes (2 req.)	176-555
183	Frame	183-545